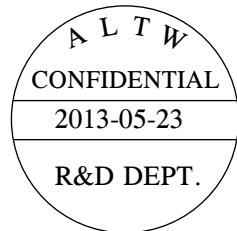
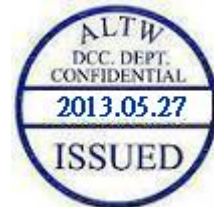
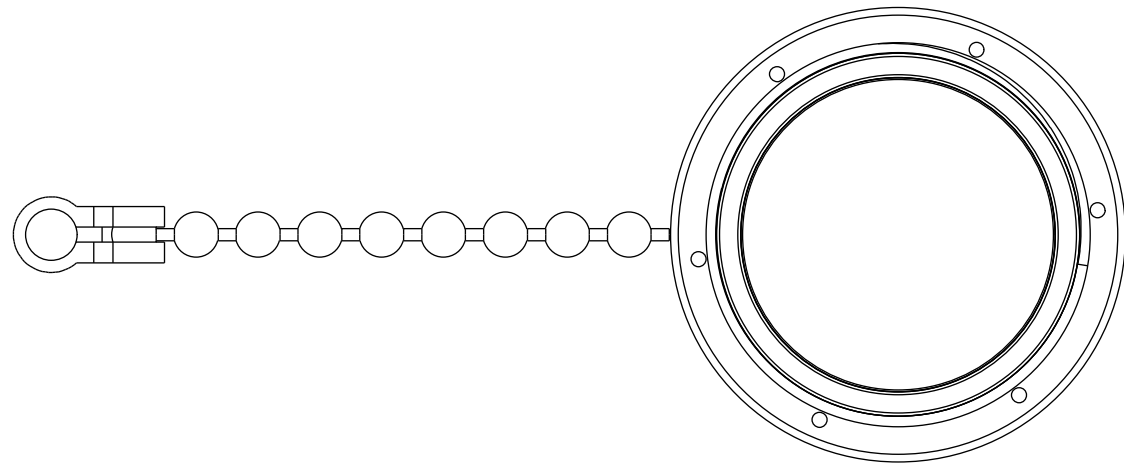
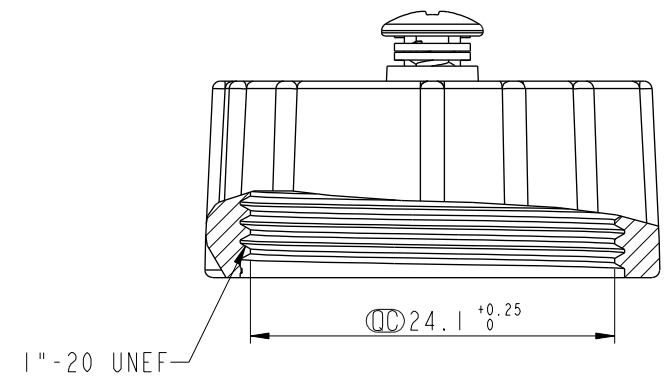
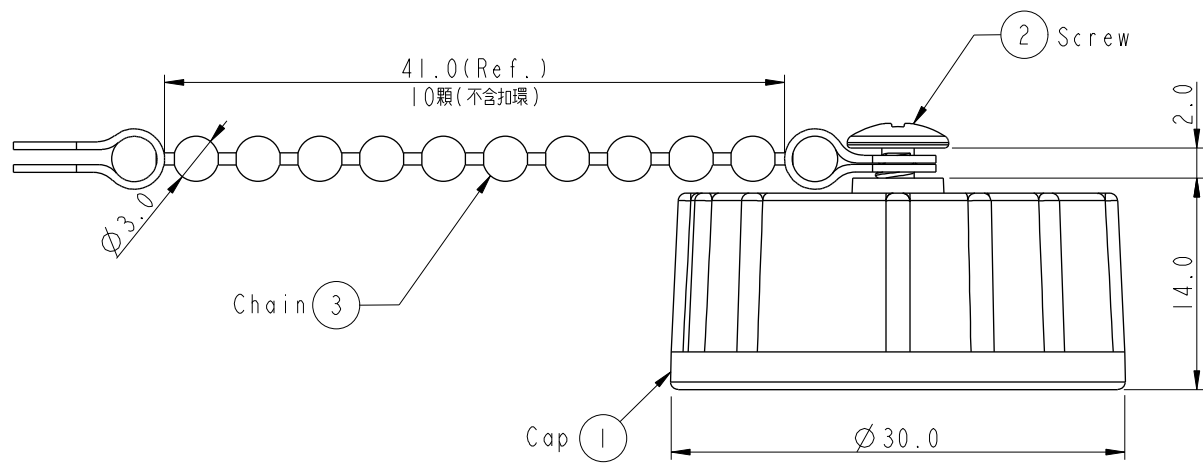


| | | | | |
|------|---------|------|------|-------------|
| REV. | ECN NO. | DATE | SIGN | DESCRIPTION |
| | | | | |



Note:
 * QC Important Dimension To Check.
 * Waterproof Rate: IP67.
 * Cap: Nylon+GF, Black.
 * Gasket: EPDM, Black.
 * Screw is not allowed to tight (Chain be revolve)
 不可將螺絲鎖緊 (鏈條要可旋轉)

| | | | | | | | | |
|---|---|----------------|--------------------------------------|--|-------------------------------|------------------------|-------------------------|--------------------|
| UNIT: mm TOLERANCE .X ±0.25 .XX ±0.1 .XXX ±0.05 ANGLES ±1° | TITLE Waterproof Cap For Male Conn. D Size Screw Type | | Amphenol LTW 安費諾亮泰企業股份有限公司 | | ITEM NO CAP-WADMSPBI | DRAWN BY Vicky | DATE 2013-05-23 | |
| | SCALE 2:1 | SIZE A4 | | | SHEET 1 OF 1 | DWG NO CAP-WADMSPBI | CHECKED BY Sam Chang | DATE 2013-05-23 |
| | REV. A | WC-REV. A.1 | | | QC : Inspection item | CUSTOMER ALTW | APPROVED BY Maslow | DATE 2013-05-23 |

THIS DOCUMENT IS SUBJECT TO CHANGE WITHOUT NOTICE. IT IS CONFIDENTIAL AND A PROPERTY OF Amphenol LTW. DISCLOSURE TO THIRD PARTY HAS TO BE AUTHORIZED BY Amphenol LTW.