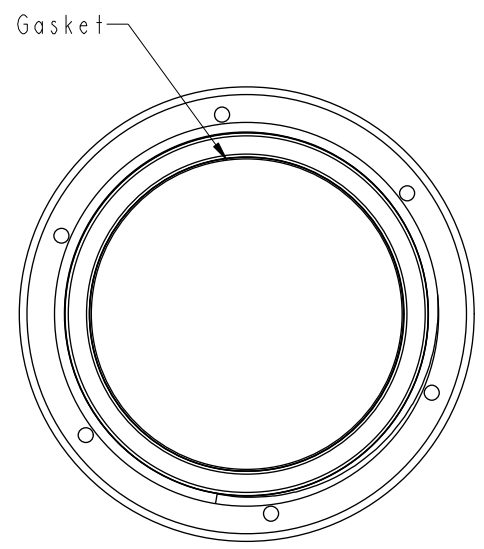
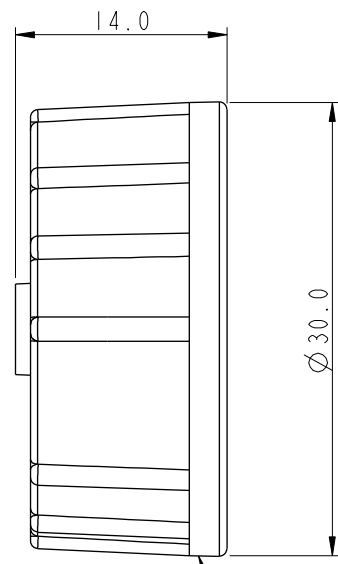
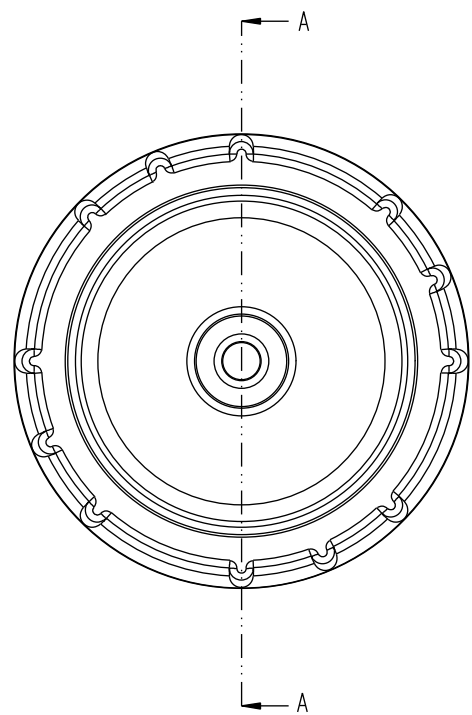
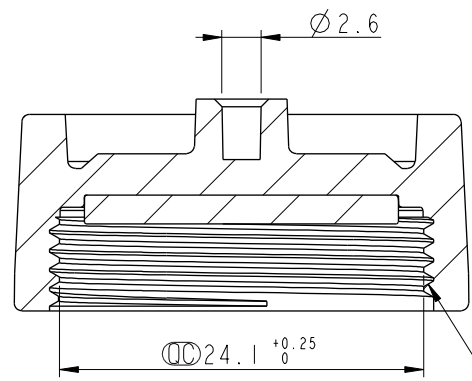


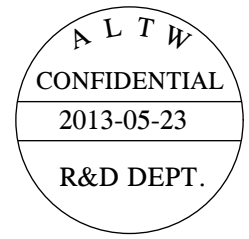
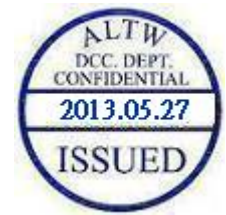
REV.	ECN NO.	DATE	SIGN	DESCRIPTION



1 Waterproof Cap



Section A-A



- Note:
- \*  $\varnothing$  Important Dimension To Check.
  - \* Waterproof Rate: IP67.
  - \* Cap: Nylon+GF, Black.
  - \* Gasket: EPDM, Black.

UNIT: mm			TITLE Waterproof Cap For Male Conn. D Size Screw Type
TOLERANCE .X ±0.25 .XX ±0.1 .XXX ±0.05 ANGLES ±1°	SCALE 2:1	SIZE A4	SHEET 1 OF 1
REV. A	WC-REV. A.1	QC: Inspection item	

**Amphenol LTW**  
安費諾亮泰企業股份有限公司

ITEM NO. CAP-WADMSMAI	DRAWN BY Vicky	DATE 2013-05-23
DWG NO. CAP-WADMSMAI	CHECKED BY Sam Chang	DATE 2013-05-23
CUSTOMER ALTW	APPROVED BY Maslow	DATE 2013-05-23

THIS DOCUMENT IS SUBJECT TO CHANGE WITHOUT NOTICE. IT IS CONFIDENTIAL AND A PROPERTY OF Amphenol LTW. DISCLOSURE TO THIRD PARTY HAS TO BE AUTHORIZED BY Amphenol LTW.