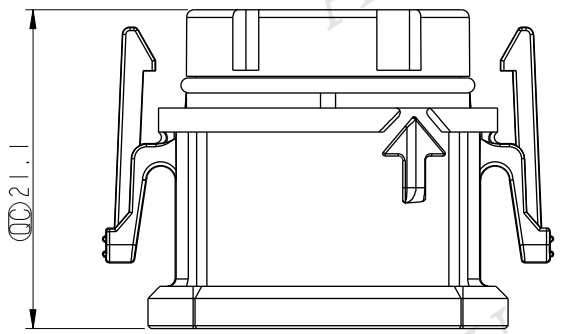
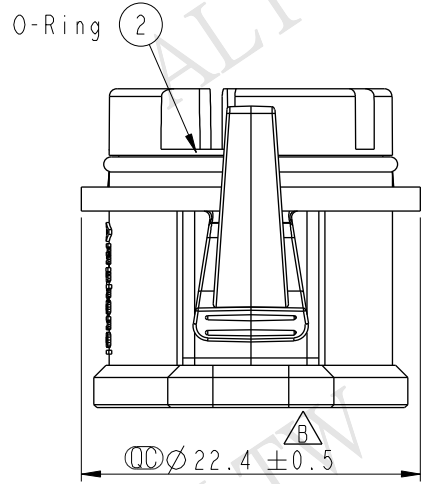
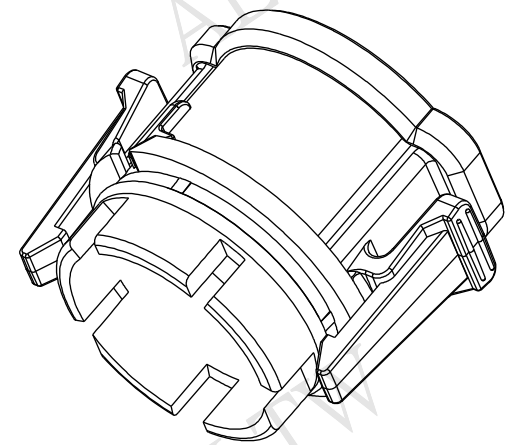
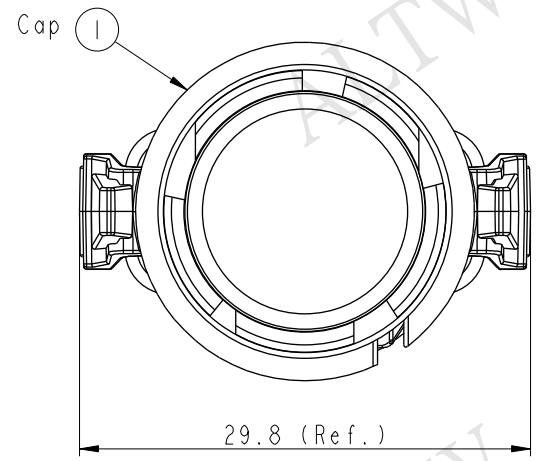


REV.	ECN NO.	DATE	SIGN	DESCRIPTION
B	LEN1680616	2016-08-15	Wes Fan	Modify Dimension.

ALTW
CONFIDENTIAL
2016-08-15
R&D DEPT.



ALTW
DCC. DEPT.
CONFIDENTIAL
2016.08.17
ISSUED

- Note:
- * \varnothing Important Dimension To Check.
 - * Waterproof Rate: IP68
 - * Housing: PP, Black
 - * Oring: Silicone, Gray

UNIT: mm		
TOLERANCE		
.X	± 0.25	
.XX	± 0.1	
.XXX	± 0.05	
ANGLES	$\pm 1^\circ$	

TITLE X-Lok D-Size Waterproof Cap For Male Conn.			
SCALE 2:1	SIZE A4	SHEET 1 OF 2	
REV. B	WC-REV. A.6	\varnothing : Inspection item	

Amphenol LTW
安費諾亮泰企業股份有限公司

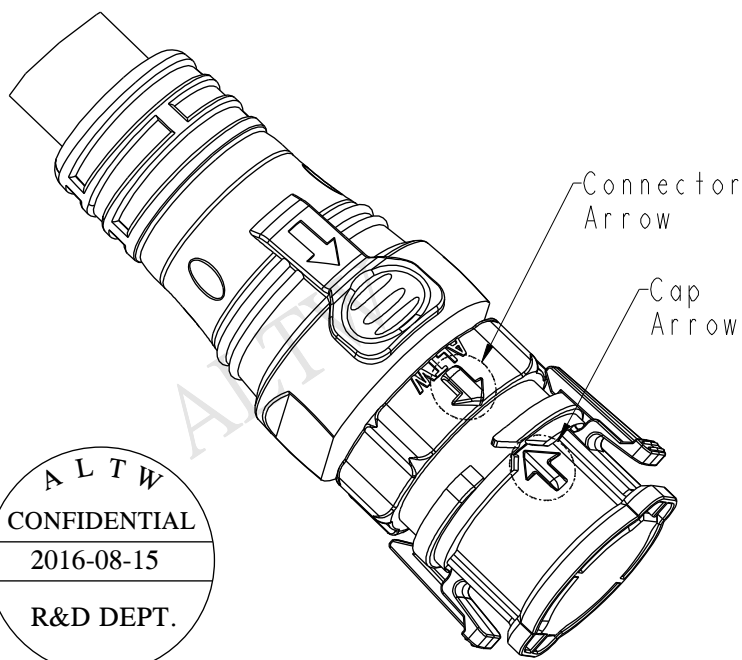
ITEM NO CAP-WADMQMA1	DRAWN BY Wes Fan	DATE 2016-08-15
DWG NO CAP-WADMQMA1	CHECKED BY Spring Liu	DATE 2016-08-15
CUSTOMER ALTW	APPROVED BY Kevin Hu	DATE 2016-08-15

THIS DOCUMENT IS SUBJECT TO CHANGE WITHOUT NOTICE. IT IS CONFIDENTIAL AND A PROPERTY OF AMPHENOL LTW. DISCLOSURE TO THIRD PARTY HAS TO BE AUTHORIZED BY AMPHENOL LTW.

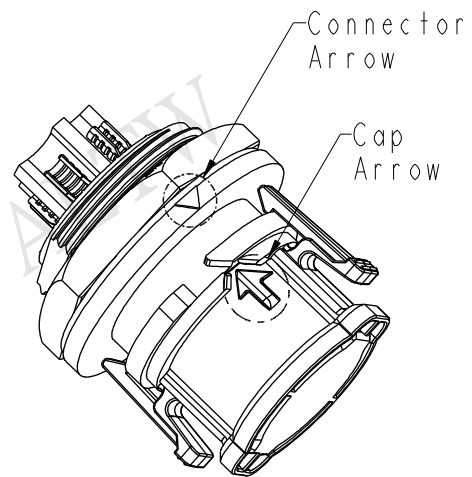
THIS DOCUMENT IS SUBJECT TO CHANGE WITHOUT NOTICE. IT IS CONFIDENTIAL AND A PROPERTY OF Amphenol LTW. DISCLOSURE TO THIRD PARTY HAS TO BE AUTHORIZED BY Amphenol LTW.

Assembly instruction:

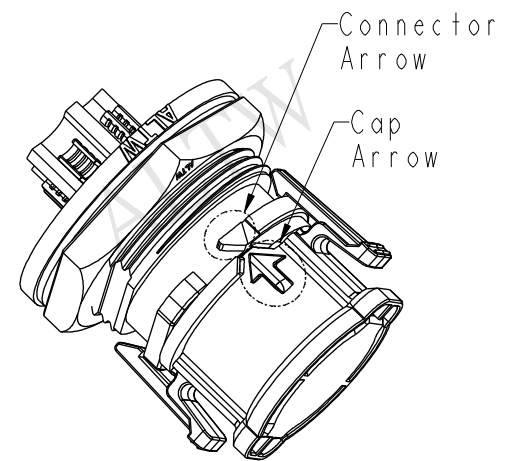
*** Please align the cap arrow to connector arrow.**



Cap & Overmolded with cable



Cap & Receptacle (Rear Mount)



Cap & Receptacle (Front Mount)

UNIT:mm
TOLERANCE

TITLE X-Lok D-Size Waterproof Cap For Male Conn.			
SCALE 6:5	SIZE A4	SHEET 2 OF 2	
REV. B	WC-REV. A.6	QC: Inspection item	

Amphenol LTW
安費諾亮泰企業股份有限公司

ITEM NO CAP-WADMQMA1	DRAWN BY Wes Fan	DATE 2016-08-15
DWG NO CAP-WADMQMA1	CHECKED BY Spring Liu	DATE 2016-08-15
CUSTOMER ALTW	APPROVED BY Kevin Hu	DATE 2016-08-15