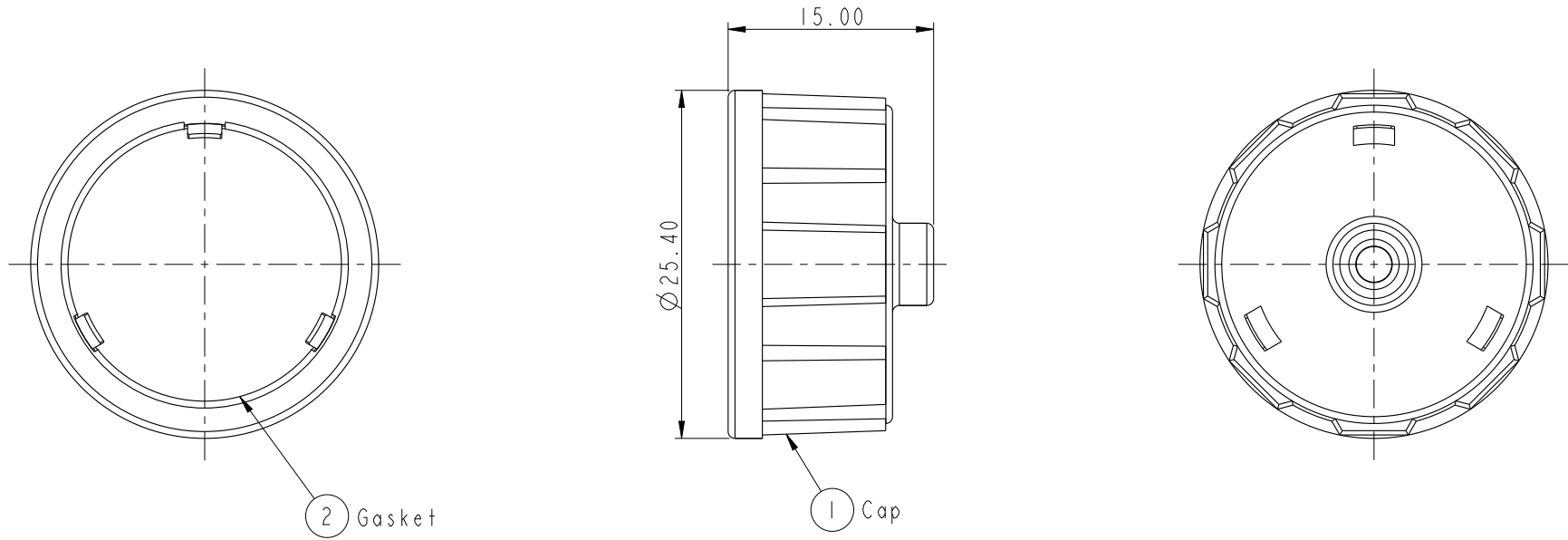


THIS DOCUMENT IS SUBJECT TO CHANGE WITHOUT NOTICE. IT IS CONFIDENTIAL AND A PROPERTY OF Amphenol LTW. DISCLOSURE TO THIRD PARTY HAS TO BE AUTHORIZED BY Amphenol LTW.

REV.	ECN NO.	DATE	SIGN	DESCRIPTION
B	C201650	2020/10/24	Peng	△BXI



Note:  
 \* Waterproof Rate: IP67  
 \* Cap: Nylon+GF, Black  
 \* Gasket: Silicone, Black

UNIT:mm  
 TOLERANCE  
 ±0.5MM

TITLE Waterproof Cap,C Size,RJ 13/16"-28 UN, Male Conn, 3 Point Lock		
SCALE 2:1	SIZE A4	SHEET 1 OF 1
REV. B	WC-REV. A.2	☉: Inspection item

**Amphenol LTW**  
 安費諾亮泰企業股份有限公司

ITEM NO CAP-WACMTMAI	DRAWN BY Vicky	DATE 2013-09-10
DWG NO CAP-WACMTMAI	CHECKED BY Sam	DATE 2013-09-10
CUSTOMER ALTW	APPROVED BY Rita	DATE 2013-09-10