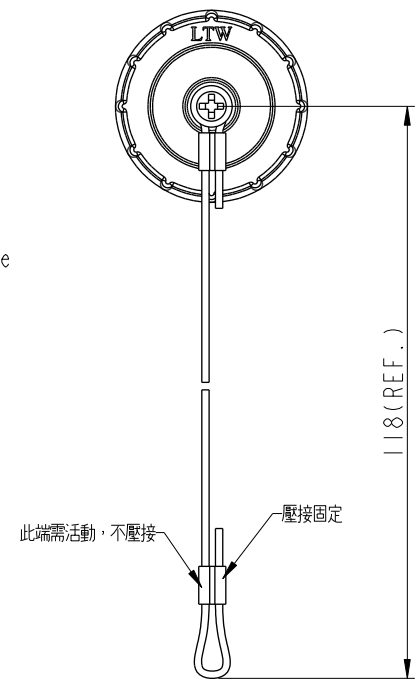
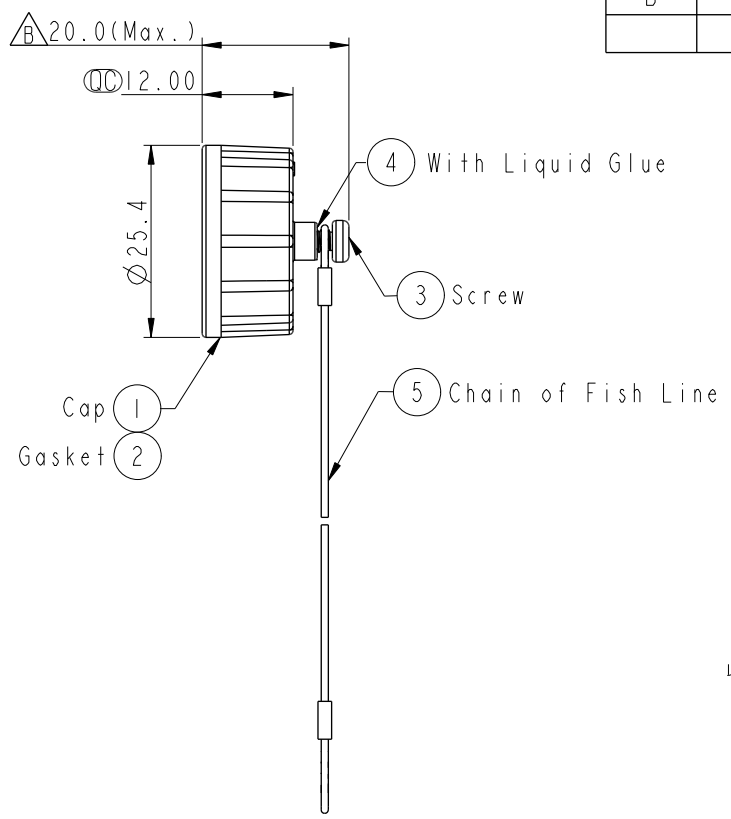


THIS DOCUMENT IS SUBJECT TO CHANGE WITHOUT NOTICE. IT IS CONFIDENTIAL AND A PROPERTY OF Amphenol LTW. DISCLOSURE TO THIRD PARTY HAS TO BE AUTHORIZED BY Amphenol LTW.

REV.	ECN NO.	DATE	SIGN	DESCRIPTION
A	Initial Release	2013/09/10	Vicky	Old Item No. CAP-WACPMSD2
B	C202032	2020/12/24	Ruru	$\triangle B$ X4



- Note:
- \*  $\textcircled{C}$  Important Dimension.
  - \* Waterproof Rate: IP67
  - $\triangle B$  \* Cap: Metal
  - $\triangle B$  \* Gasket: Rubber, Black
  - \* Fish Line: Nylon
  - Part of Fish Line: Stainless
  - \* Screw is not allowed to tight (Chain be revolve)
  - 不可將螺絲鎖緊，(鏈條要可旋轉)

UNIT: mm		
TOLERANCE		
.X	±0.25	
.XX	±0.1	
.XXX	±0.05	
ANGLES	±1°	

TITLE ACC, CERES, WP CAP SCREW, W/FH LINE $\triangle B$			
SCALE 1:1	SIZE A4	SHEET 1 OF 1	
REV. B	WC-REV. A.1	$\textcircled{C}$ : Inspection item	

**Amphenol LTW**  
安費諾亮泰企業股份有限公司

ITEM NO. CAP-WACMSPD2	DRAWN BY Vicky	DATE 2013-09-10
DWG NO. CAP-WACMSPD2	CHECKED BY Sam	DATE 2013-09-10
CUSTOMER ALTW	APPROVED BY Rita	DATE 2013-09-10