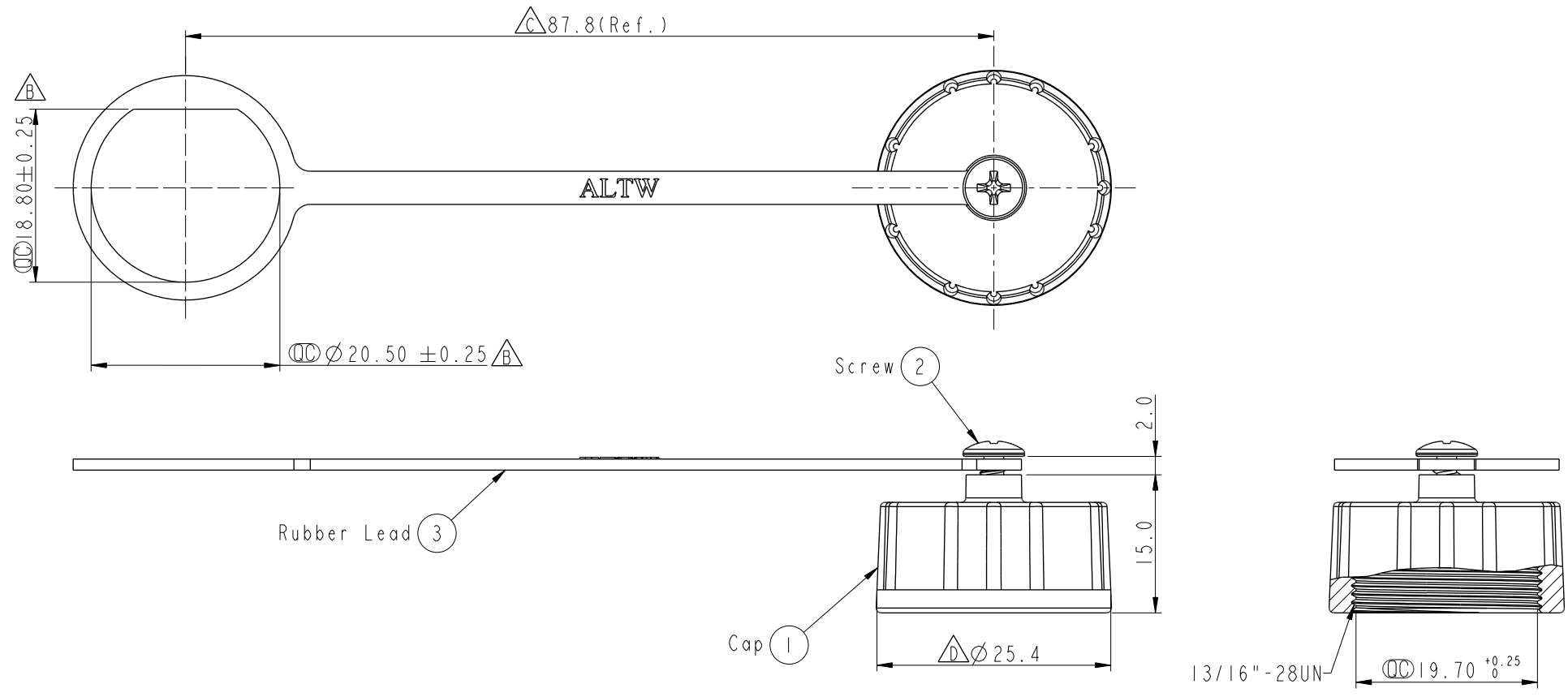


THIS DOCUMENT IS SUBJECT TO CHANGE WITHOUT NOTICE. IT IS CONFIDENTIAL AND A PROPERTY OF Amphenol LTW. DISCLOSURE TO THIRD PARTY HAS TO BE AUTHORIZED BY Amphenol LTW.

REV.	ECN NO.	DATE	SIGN	DESCRIPTION
B	LE31510470	2015/01/26	Mafei	Change The Chain Material From PVC to TPES
C	C230202	2023/02/16	Vicky	$\triangle C \times 2$
D	C230375	2023/03/20	Vicky	$\triangle D \times 1$



Note:
 * ⌀ Important Dimension To Check.
 * Waterproof Rate: IP67.
 * Cap: Nylon+GF, Black.
 * Gasket: EPDM, Black.
 $\triangle B$ * Rubber Lead: TPES, Black.
 * Screw os not allowed to tight (Chain be revolve)
 不可將螺絲鎖緊 (Rubber Lead 要可旋轉)

UNIT: mm			TITLE ACC, CERES, WP CAP SCREW, W/RB LEAD	$\triangle C$
TOLERANCE .X ±0.25 .XX ±0.1 .XXX ±0.05 ANGLES ±1°	SCALE 3:2	SIZE A4	SHEET 1 OF 1	REV. D
	WC-REV. A.4	⌀ : Inspection item		

Amphenol LTW
 安費諾亮泰企業股份有限公司

ITEM NO CAP-WACMSPCI	DRAWN BY Mafei	DATE 2015-01-26
DWG NO CAP-WACMSPCI	CHECKED BY Arthur	DATE 2015-01-26
CUSTOMER ALTW	APPROVED BY Jerry	DATE 2015-01-26