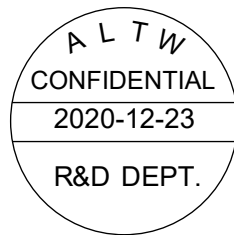
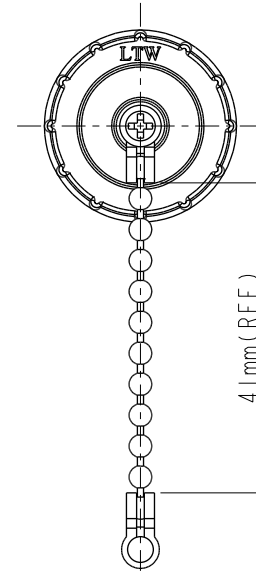
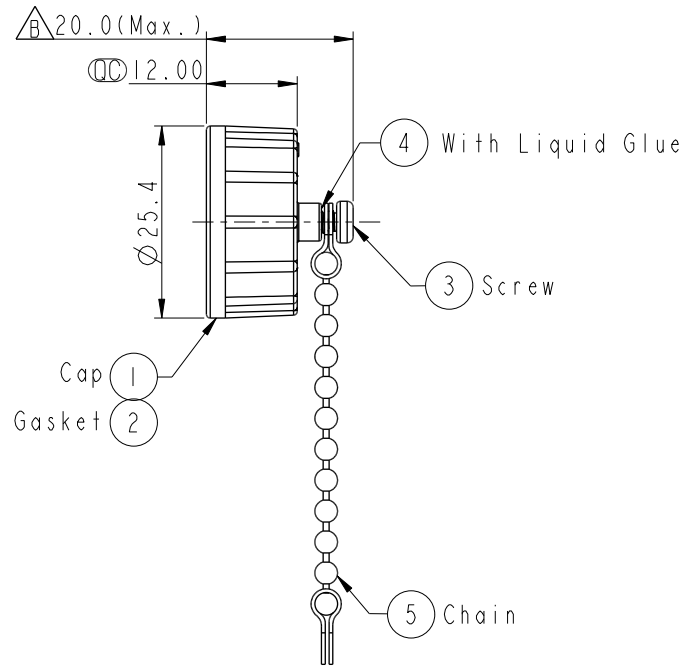


REV.	ECN NO.	DATE	SIGN	DESCRIPTION
A	Initial Release	2013/09/10	Vicky	Old Item No. CAP-WACPMSB2
B	C202032	2020/12/23	Ruru	$\triangle B$ X4



Note:

- * CC Important Dimension.
 - * Waterproof Rate: IP67
 - $\triangle B$ * Cap: Metal
 - $\triangle B$ * Gasket: Rubber, Black
 - * Screw: Stainless Steel
 - * Chain: Copper Alloy, Nickel Plated
 - * Screw is not allowed to tight (Chain be revolve)
- 不可將螺絲鎖緊, (鏈條要可旋轉)

UNIT: mm	 	TITLE ACC, CERES, WP CAP SCREW, W/ME CHAIN $\triangle B$			<h1>Amphenol LTW</h1> <p>安費諾亮泰企業股份有限公司</p>	ITEM NO CAP-WACMSPB2	DRAWN BY Vicky	DATE 2013-09-10
		TOLERANCE .X ±0.25 .XX ±0.1 .XXX ±0.05 ANGLES ±1°	SCALE 1:1	SIZE A4		SHEET 1 OF 1	DWG NO CAP-WACMSPB2	CHECKED BY Sam
		REV. B	WC-REV. A.1	CC : Inspection item	CUSTOMER ALTW	APPROVED BY Rita	DATE 2013-09-10	8 W10814-03-001A2

THIS DOCUMENT IS SUBJECT TO CHANGE WITHOUT NOTICE. IT IS CONFIDENTIAL AND A PROPERTY OF AMPHENOL LTW. DISCLOSURE TO THIRD PARTY HAS TO BE AUTHORIZED BY AMPHENOL LTW.