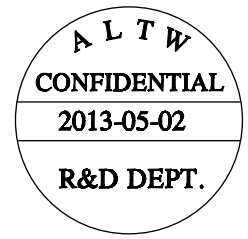
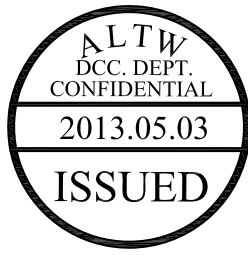
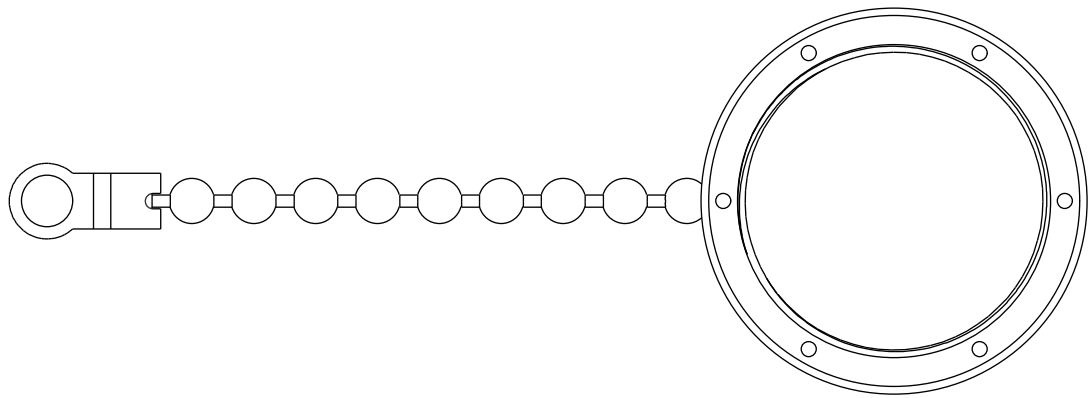
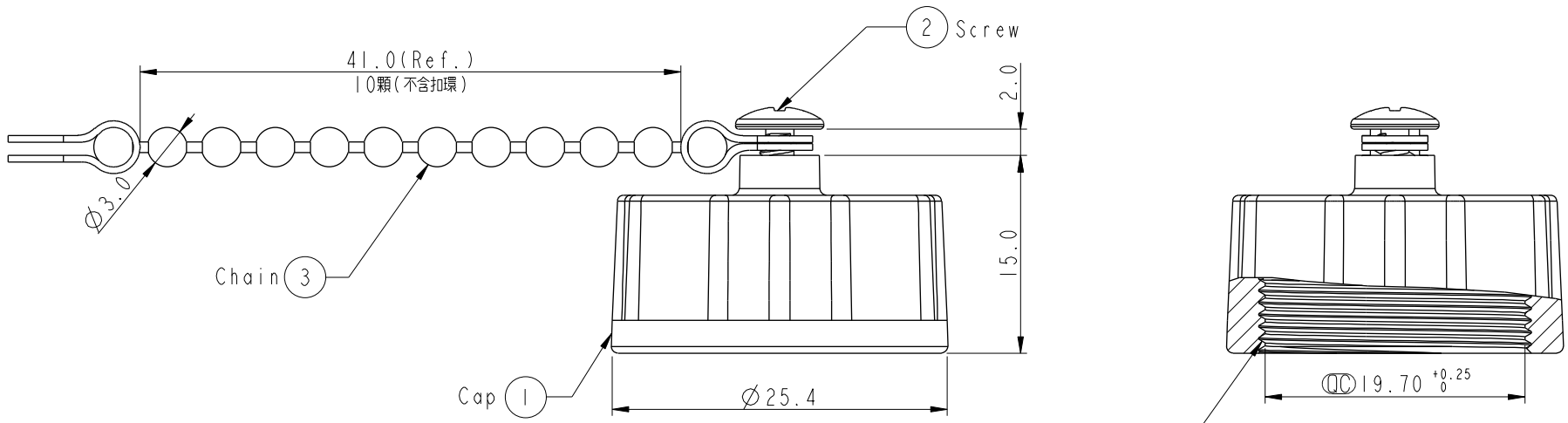


REV.	ECN NO.	DATE	SIGN	DESCRIPTION



Note:  
 \*  $\text{CC}$  Important Dimension To Check.  
 \* Waterproof Rate: IP67.  
 \* Cap: Nylon+GF, Black.  
 \* Gasket: EPDM, Black.  
 \* Screw is not allowed to tight (Chain be revolve)  
 不可將螺絲鎖緊 (鏈條要可旋轉)

UNIT: mm		
TOLERANCE	.X ±0.25	
.XX ±0.1		
.XXX ±0.05		
ANGLES	±1°	

TITLE Waterproof Cap For Male Conn. C Size Screw Type			
SCALE 2:1	SIZE A4	SHEET 1 OF 1	
REV. A	WC-REV. A.5	$\text{CC}$ : Inspection item	

**Amphenol LTW**  
 安費諾亮泰企業股份有限公司

ITEM NO CAP-WACMSPBI	DRAWN BY Vicky	DATE 2013-05-02
DWG NO CAP-WACMSPBI	CHECKED BY Sam	DATE 2013-05-02
CUSTOMER ALTW	APPROVED BY Maslow	DATE 2013-05-02

F  
E  
D  
C  
B  
A

THIS DOCUMENT IS SUBJECT TO CHANGE WITHOUT NOTICE. IT IS CONFIDENTIAL AND A PROPERTY OF Amphenol LTW. DISCLOSURE TO THIRD PARTY HAS TO BE AUTHORIZED BY Amphenol LTW.