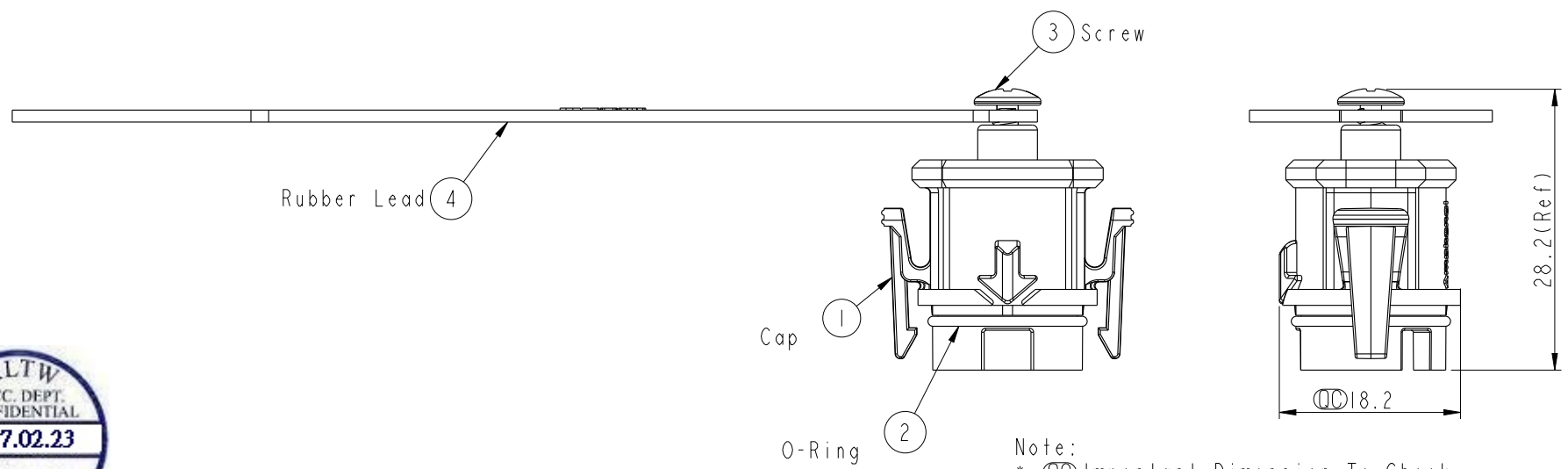
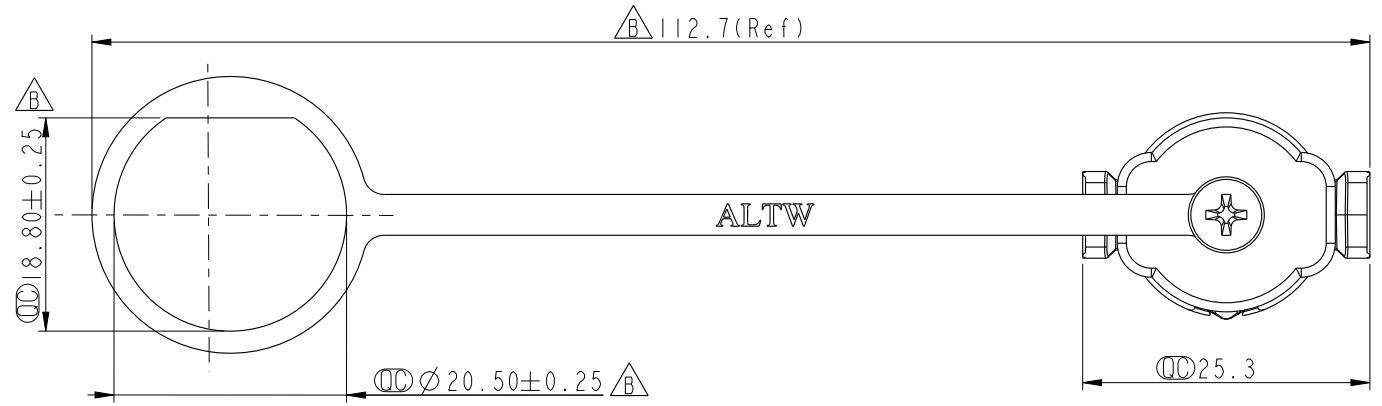
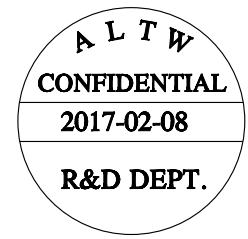


THIS DOCUMENT IS SUBJECT TO CHANGE WITHOUT NOTICE. IT IS CONFIDENTIAL AND A PROPERTY OF AMPHENOL LTW. DISCLOSURE TO THIRD PARTY HAS TO BE AUTHORIZED BY AMPHENOL LTW.

REV.	ECN NO.	DATE	SIGN	DESCRIPTION
B	LE31510471	2015-01-26	Mafei	Change The Chain Material From PVC to TPES.
C	LEN1720078	2017-02-08	Frank Deng	Change Waterproof Rate



- Note:
- * \varnothing Important Dimension To Check.
 - * Waterproof Rate: IP68 (In 1 meter water within 24 hours)
 - * Cap: PP, Black.
 - * Gasket: Silicone, Gray.
 - * Rubber Lead: TPES, Black.
 - * Screw is not allowed to tight (Chain be revolve)
不可將螺絲鎖緊 (Rubber Lead要可旋轉)

UNIT: mm		
TOLERANCE	.X ±0.25	
.XX ±0.1		
.XXX ±0.05		
ANGLES	±1°	

TITLE Waterproof Cap For Male Conn. C Size X-Lok (Rubber Lead)			
SCALE 3:2	SIZE A4	SHEET 1 OF 1	
REV. C	WC-REV. A.4	\varnothing : Inspection item	

Amphenol LTW
安費諾亮泰企業股份有限公司

ITEM NO. CAP-WACMQPC1	DRAWN BY Frank Deng	DATE 2017-02-08
DWG NO. CAP-WACMQPC1	CHECKED BY Spring Liu	DATE 2017-02-08
CUSTOMER ALTW	APPROVED BY Kevin Hu	DATE 2017-02-08