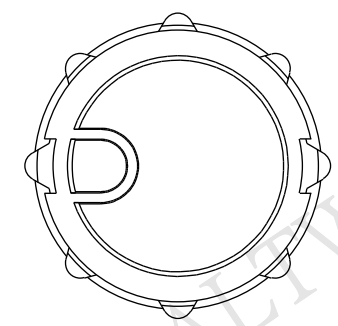
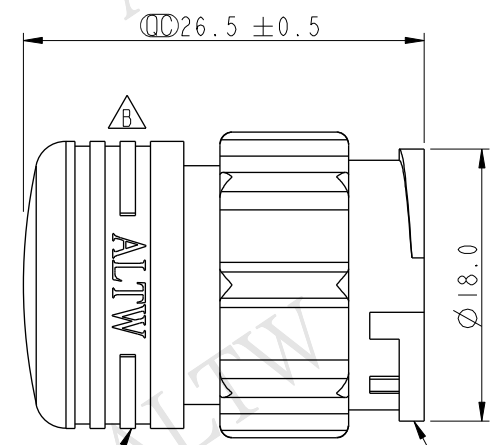
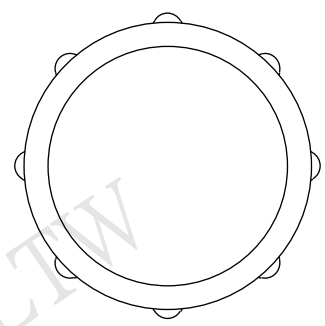
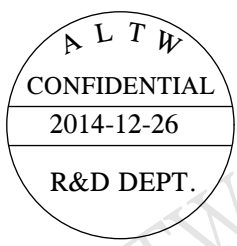


THIS DOCUMENT IS SUBJECT TO CHANGE WITHOUT NOTICE. IT IS CONFIDENTIAL AND A PROPERTY OF AMPHENOL LTW. DISCLOSURE TO THIRD PARTY HAS TO BE AUTHORIZED BY AMPHENOL LTW.

REV.	ECN NO.	DATE	SIGN	DESCRIPTION
A	Initial Release	2013/09/10	Vicky	Old Item No. CAP-WACCFLA2
B	LEN1510165	2014/12/26	Ruru	Change Logo



Inner Mold (2)  
 Outer Mold (3)  
 Color: Black



Note:  
 \* (CC) Important Dimension.  
 \* Waterproof Rate: IP67  
 \* Housing: Nylon+GF, Black

UNIT: mm		TITLE		ITEM NO.		DRAWN BY		DATE		
		Waterproof Cap, Power For F Conn. F Pin		CAP-WACFLMA2		Ruru		2014-12-26		
		SCALE	SIZE	SHEET	OF	DWG NO.	CHECKED BY	DATE		
TOLERANCE		2:1	A4	1	1	CAP-WACFLMA2	Rita	2014-12-26		
.X ±0.25		REV.	WC-REV.	(CC): Inspection item		CUSTOMER	APPROVED BY	DATE		
.XX ±0.1		B	A.1			ALTW	Win	2014-12-26		
.XXX ±0.05										
ANGLES ±1°										

**Amphenol LTW**  
 安費諾亮泰企業股份有限公司