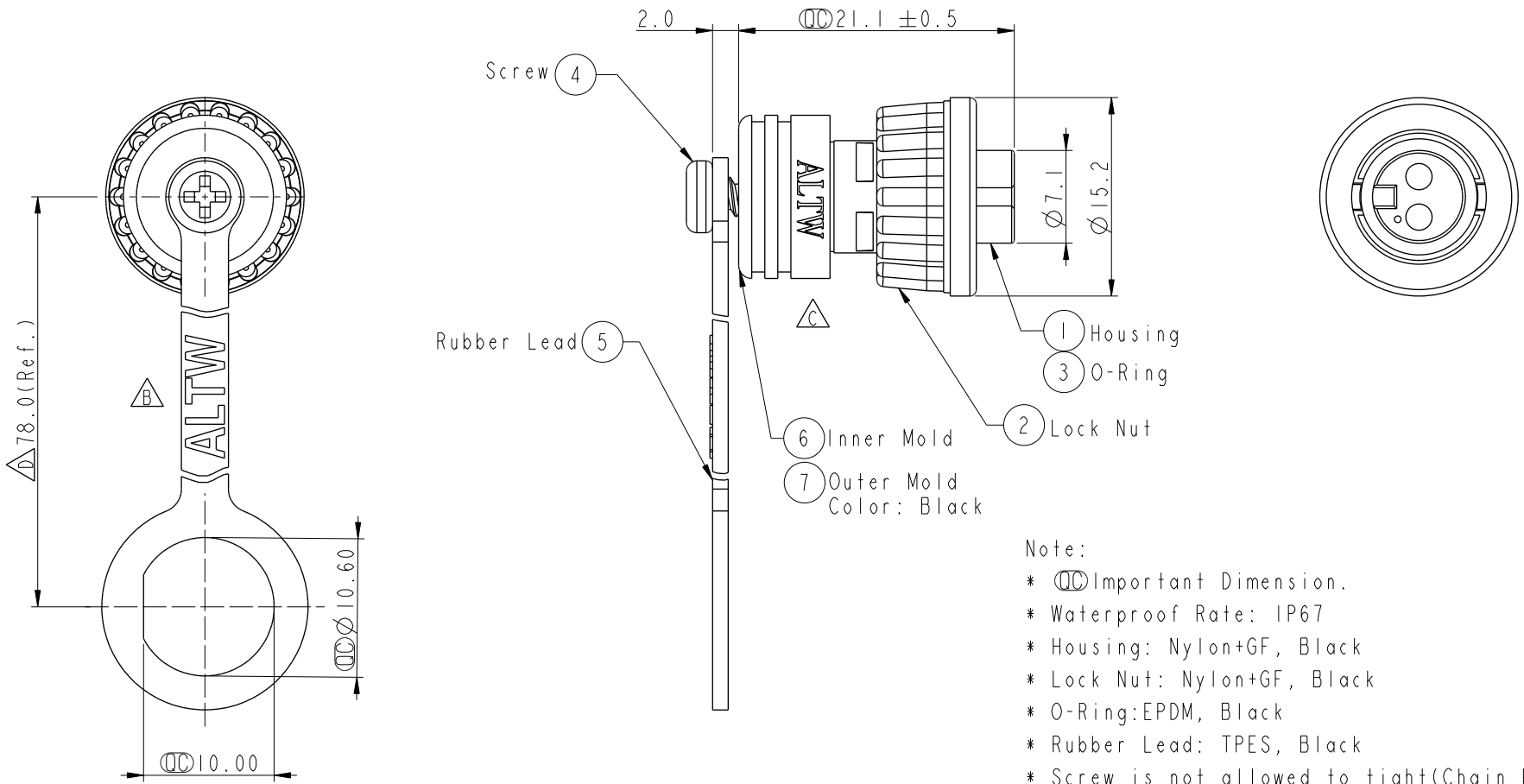


REV.	ECN NO.	DATE	SIGN	DESCRIPTION
B	LEN14B0186	2014/11/10	Ruru	Change Logo LTW To ALTW
C	LEN1530063	2015/02/12	Ruru	Change Logo
D	C230202	2023/02/16	Vicky	$\triangle D$ X2

THIS DOCUMENT IS SUBJECT TO CHANGE WITHOUT NOTICE. IT IS CONFIDENTIAL AND A PROPERTY OF AMPHENOL LTW. DISCLOSURE TO THIRD PARTY HAS TO BE AUTHORIZED BY AMPHENOL LTW.



- Note:
- * ⌀ Important Dimension.
 - * Waterproof Rate: IP67
 - * Housing: Nylon+GF, Black
 - * Lock Nut: Nylon+GF, Black
 - * O-Ring: EPDM, Black
 - * Rubber Lead: TPES, Black
 - * Screw is not allowed to tight (Chain be revolve)
不可將螺絲鎖緊, (鏈條要可旋轉)
 - * Drill Hold $\text{⌀} 2.3\text{mm}$, Depth 4mm.
鑽孔 $\text{⌀} 2.3\text{mm}$, 深 4mm

UNIT: mm	⌀	⌀	TITLE ACC, CERES, WP CAP 2LOCK, W/RB LEAD			$\triangle D$
TOLERANCE .X ± 0.25 .XX ± 0.1 .XXX ± 0.05 ANGLES $\pm 1^\circ$	SCALE 2:1	SIZE A4	SHEET 1	OF 1	REV. D	WC-REV. A.3
			⌀ : Inspection item			

Amphenol LTW
安費諾亮泰企業股份有限公司

ITEM NO CAP-WAAMLPC1	DRAWN BY Ruru	DATE 2015-02-12
DWG NO CAP-WAAMLPC1	CHECKED BY Rita	DATE 2015-02-12
CUSTOMER ALTW	APPROVED BY Lion	DATE 2015-02-12