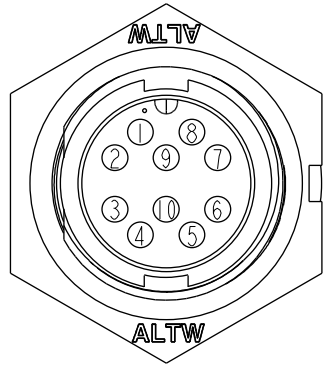
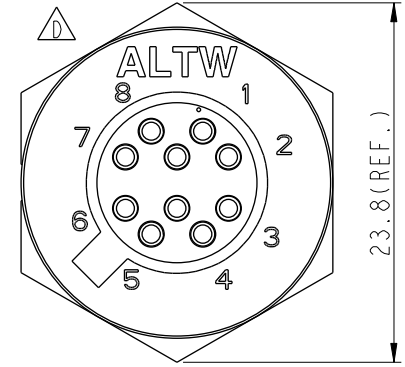
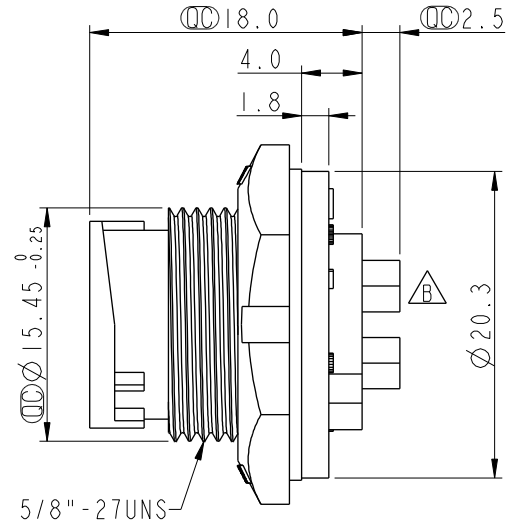
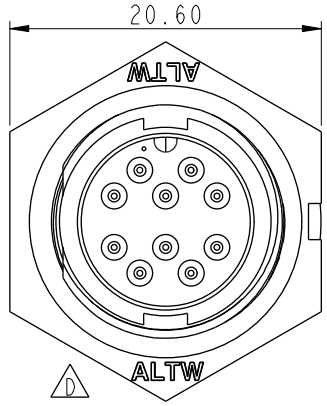


THIS DOCUMENT IS SUBJECT TO CHANGE WITHOUT NOTICE. IT IS CONFIDENTIAL AND A PROPERTY OF Amphenol LTW. DISCLOSURE TO THIRD PARTY HAS TO BE AUTHORIZED BY Amphenol LTW.

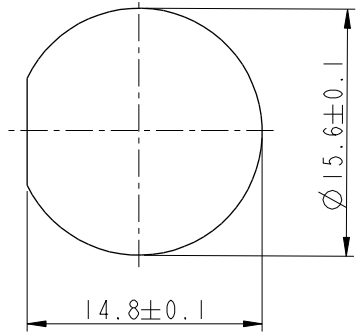
REV.	ECN NO.	DATE	SIGN	DESCRIPTION
C	LEN-8B0410	2008/09/22	Shin	Add Note
D	LEN1590288	2015/09/01	Vicky	Update Logo
E	CI90269	2019/02/25	Ruru	Modify Note

△

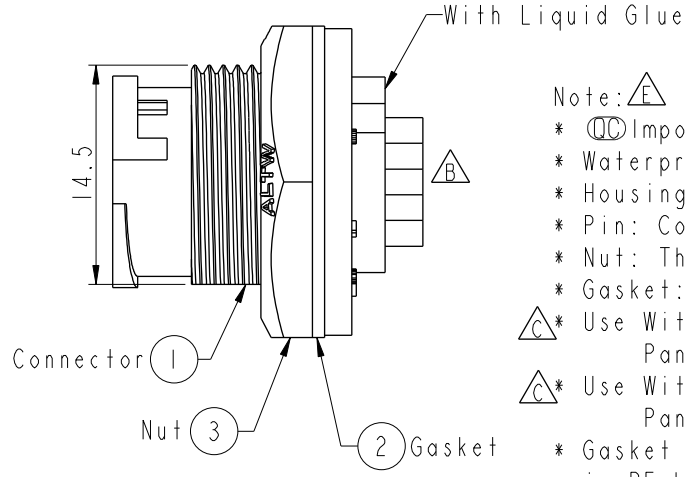
ALTW
 CONFIDENTIAL
 2019-02-25
 R&D DEPT.



Pin Assignments
Front View



Recommended Panel Cut-out



Note: △

- * (CC) Important Dimension To Check.
- * Waterproof Rate: IP67, Unmated
- * Housing: Thermoplastic, Black
- * Pin: Copper Alloy, Gold Plated
- * Nut: Thermoplastic, Black
- * Gasket: Rubber, Black
- △* Use With Waterproof Cap Or Dust Cap
Panel Thickness Max: 3.0mm
- △* Use Without Waterproof Cap Or Dust Cap
Panel Thickness Max: 4.5mm
- * Gasket and Nut are packed separately in PE bags.

UNIT:mm		
TOLERANCE		
.X	±0.25	
.XX	±0.1	
.XXX	±0.05	
ANGLES	±1°	

TITLE			
Standard Panel Lock 10Pin M Conn. M Pin			
SCALE	SIZE	SHEET	OF
2:1	A4	1	1
REV.	WC-REV.	CC: Inspection item	
E	A.5		

Amphenol LTW
 安費諾亮泰企業股份有限公司

ITEM NO	BU-10PMMS-LC7001	DRAWN BY	Ruru	DATE	2019-02-25
DWG NO	BU-10PMMS-LC7001	CHECKED BY	Rita	DATE	2019-02-25
CUSTOMER	ALTW	APPROVED BY	Max	DATE	2019-02-25