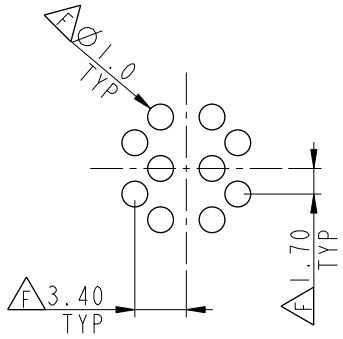
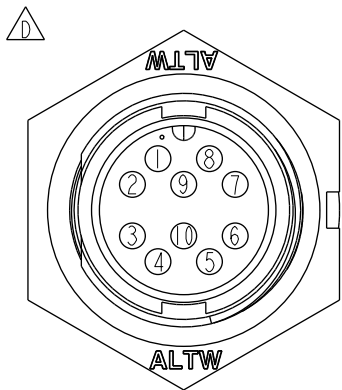
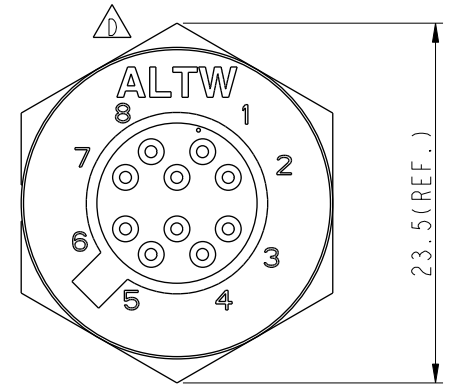
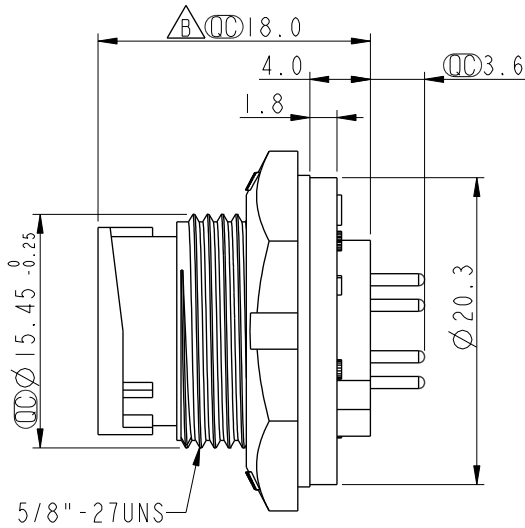
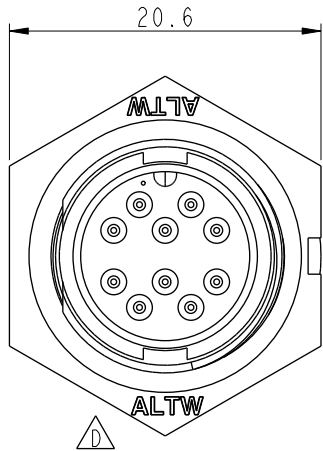


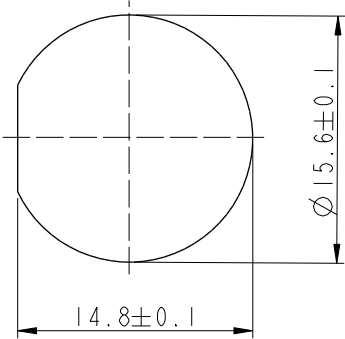
REV.	ECN NO.	DATE	SIGN	DESCRIPTION
D	LEN1530156	2014/12/17	Jinhai	Change Logo
E	C190269	2019/02/25	Ruru	Modify Note
F	C211525	2021/09/28	Ruru	△ X3



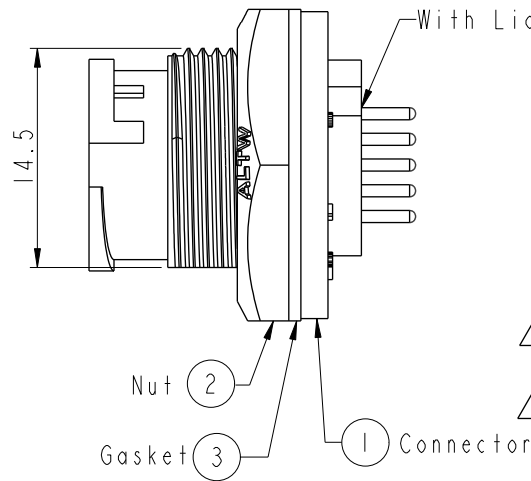
PCB Lay-out



Pin Assignments Front View



Recommended Panel Cut-out



Note: △

- * ∅ Important Dimension To Check.
- * Waterproof Rate: IP67, Unmated
- * Housing: Thermoplastic, Black
- * Pin: Copper Alloy, Gold Plated
- * Nut: Thermoplastic, Black
- * Gasket: Rubber, Black

- △* Use With Waterproof Cap Or Dust Cap
Panel Thickness Max: 3.0mm
- △* Use Without Waterproof Cap Or Dust Cap
Panel Thickness Max: 4.5mm
- * Gasket and Nut are packed separately in PE bags.

UNIT:mm		
TOLERANCE	.X ±0.25	
.XX ±0.1		
.XXX ±0.05		
ANGLES	±1°	

TITLE Standard Panel Lock 10Pin M Conn. M Pin			
SCALE 2:1	SIZE A4	SHEET 1 OF 1	
REV. F	WC-REV. A.4	∅: Inspection item	

Amphenol LTW
安費諾亮泰企業股份有限公司

ITEM NO BU-10PMMP-LC7001	DRAWN BY Ruru	DATE 2019-02-25
DWG NO BU-10PMMP-LC7001	CHECKED BY Rita	DATE 2019-02-25
CUSTOMER ALTW	APPROVED BY Max	DATE 2019-02-25

THIS DOCUMENT IS SUBJECT TO CHANGE WITHOUT NOTICE. IT IS CONFIDENTIAL AND A PROPERTY OF AMPHENOL LTW. DISCLOSURE TO THIRD PARTY HAS TO BE AUTHORIZED BY AMPHENOL LTW.