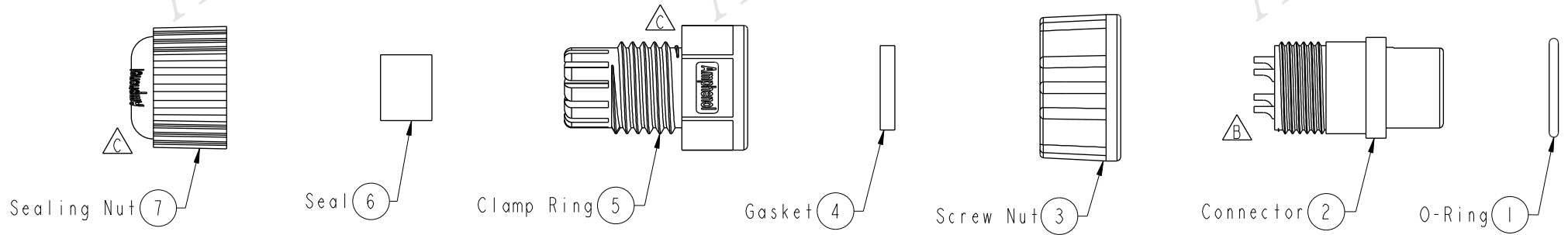


THIS DOCUMENT IS SUBJECT TO CHANGE WITHOUT NOTICE. IT IS CONFIDENTIAL AND A PROPERTY OF Amphenol LTW. DISCLOSURE TO THIRD PARTY HAS TO BE AUTHORIZED BY Amphenol LTW.

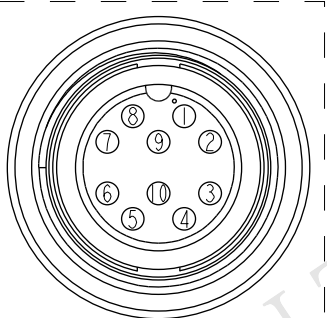
REV.	ECN NO.	DATE	SIGN	DESCRIPTION
B	LEN-0C0636	2010/11/26	Ivan	Change View
C	LEN14C0420	2014/12/12	Vicky	Update Logo

ALTW
 CONFIDENTIAL
 2014-12-12
 R&D DEPT.

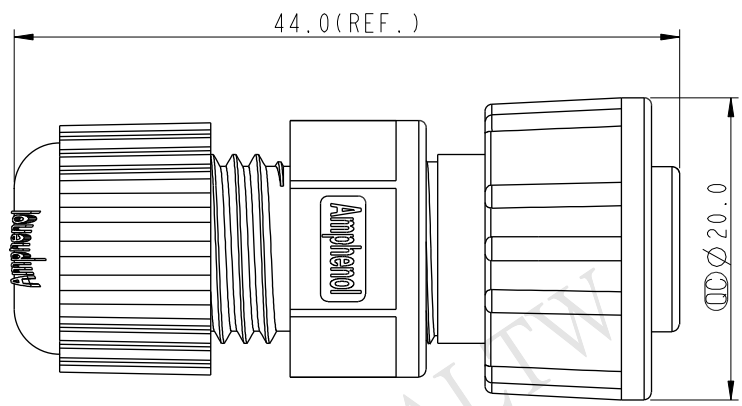
ALTW
 DCC. DEPT.
 CONFIDENTIAL
 2014.12.23
 ISSUED



- Note:
- * \varnothing Important Dimension To Check.
 - * Waterproof Rate: IP67
 - * Housing: Nylon+GF, Black
 - * Female Pin: Copper Alloy, Gold Plated
 - * O-Ring: EPDM, Black
 - * Screw Nut: Nylon+GF, Black
 - * Gasket: EPDM, Black
 - * Clamp Ring: Nylon, Black
 - * Seal: EPDM, Black
 - * Sealing Nut: Nylon, Black
 - * Seal For Cable OD: $\varnothing 4.5\text{mm} \sim \varnothing 6.5\text{mm}$
(防水墊圈線徑: $\varnothing 4.5\text{mm} \sim \varnothing 6.5\text{mm}$)
 - * One Set Unassembled In One PE Bag
(每一組未組裝, 放置於一個PE袋, 並封口)



Pin Assignments
Front View



UNIT: mm		
TOLERANCE	.X	± 0.25
	.XX	± 0.1
	.XXX	± 0.05
ANGLES		$\pm 1^\circ$

TITLE Standard Assy Screw 10Pin F Conn F Pin			
SCALE 5:4	SIZE A4	SHEET 1 OF 1	
REV. C	WC-REV. A.3	\varnothing : Inspection item	

Amphenol LTW
 安費諾亮泰企業股份有限公司

ITEM NO. BU-10BFFA-SL7001	DRAWN BY Vicky	DATE 2014-12-12
DWG NO. BU-10BFFA-SL7001	CHECKED BY Sam	DATE 2014-12-12
CUSTOMER ALTW	APPROVED BY Rita	DATE 2014-12-12