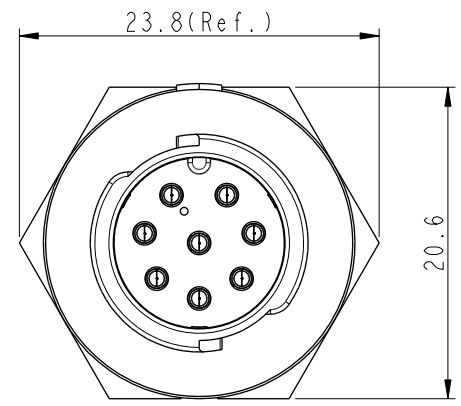
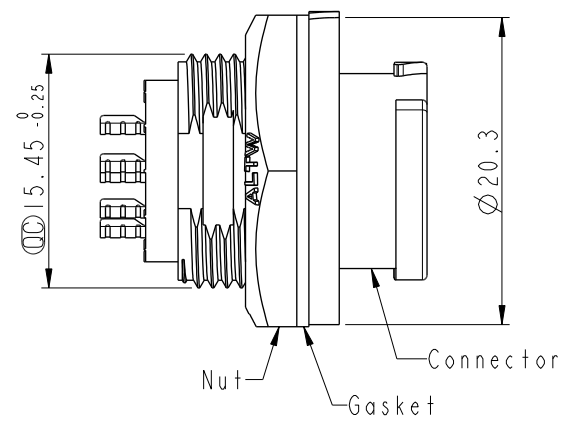
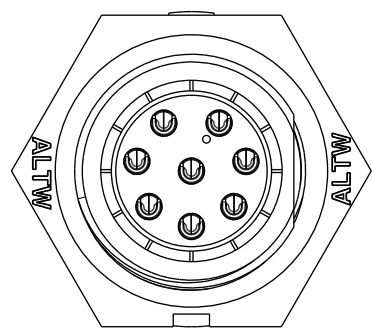
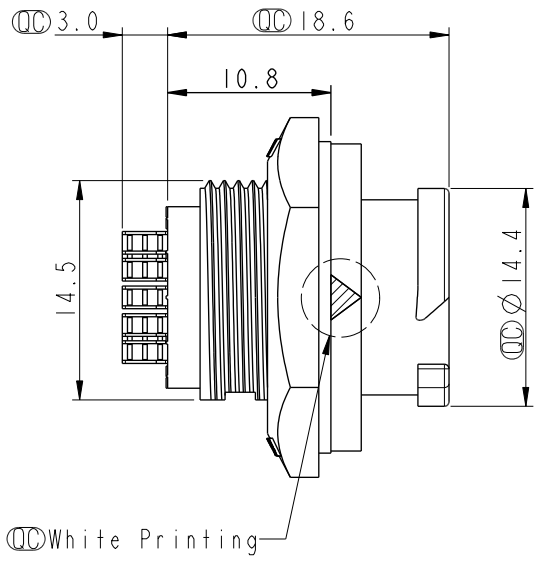


THIS DOCUMENT IS SUBJECT TO CHANGE WITHOUT NOTICE. IT IS CONFIDENTIAL AND A PROPERTY OF AMPHENOL LTW. DISCLOSURE TO THIRD PARTY HAS TO BE AUTHORIZED BY AMPHENOL LTW.

REV.	ECN NO.	DATE	SIGN	DESCRIPTION
C	C190411	2019/03/19	Vicky	Change Note
D	C220466	2022/04/18	Ruru	$\triangle D$ X7
E	C230086	2023/01/31	Ruru	$\triangle E$ XI

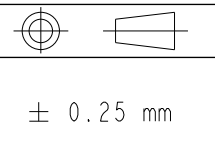


$\triangle D$   
BD-XXRMMS-QC8001  
XX: No. Of Pin



- Note:  $\triangle B \triangle C \triangle D$
- \* RoHS Compliant
  - \*  $\text{CC}$  Important dimension
  - $\triangle E$  \* Waterproof rate: IP68, unmated 1m/24h
  - \* Connector  
Housing: Thermoplastic, Black  
Pin: Copper alloy, Gold plated
  - \* Nut: Thermoplastic, Black
  - \* Gasket: Rubber, Gray
  - \* For panel thickness max: 4.5mm
  - \* Gasket and nut are packed separately in pe bag

**UNIT:mm**  
**TOLERANCE**  
.X ± 0.25 mm

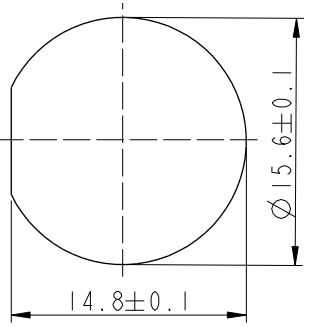


TITLE XLOK, B-5A, REAR FASTENED M, M, SOLDER, PUSH LOCK $\triangle D$			
SCALE 2:1	SIZE A4	SHEET 1 OF 2	
REV. E	WC-REV. A.3	$\text{CC}$ : Inspection item	

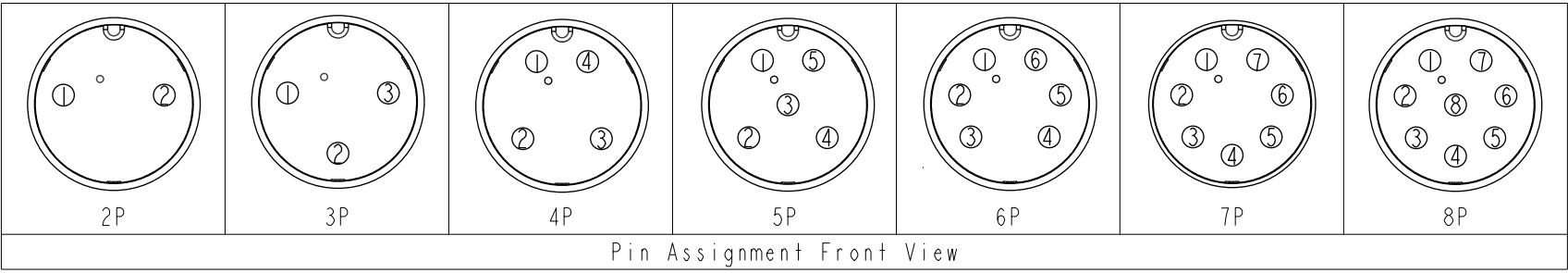
**Amphenol LTW**  
安費諾亮泰企業股份有限公司

ITEM NO.	DRAWN BY Micky	DATE 2014-10-24
DWG NO. BD-XXRMMS-QC8001 $\triangle D$	CHECKED BY Spring	DATE 2014-10-24
CUSTOMER ALTW	APPROVED BY Kevin	DATE 2014-10-24

THIS DOCUMENT IS SUBJECT TO CHANGE WITHOUT NOTICE. IT IS CONFIDENTIAL AND A PROPERTY OF Amphenol LTW. DISCLOSURE TO THIRD PARTY HAS TO BE AUTHORIZED BY Amphenol LTW.



Recommended  
Panel Cut-out



UNIT: mm		
TOLERANCE	.X ± 0.25 mm	

TITLE XLOK, B-5A, REAR FASTENED M, M, SOLDER, PUSH LOCK		
SCALE 2:1	SIZE A4	SHEET 2 OF 2
REV. E	WC-REV. A.3	Inspection item

**Amphenol LTW**  
安費諾亮泰企業股份有限公司

ITEM NO	DWG NO BD-XXRMMS-QC8001
CUSTOMER ALTW	

DRAWN BY Micky	CHECKED BY Spring
APPROVED BY Kevin	

DATE 2014-10-24	DATE 2014-10-24
DATE 2014-10-24	