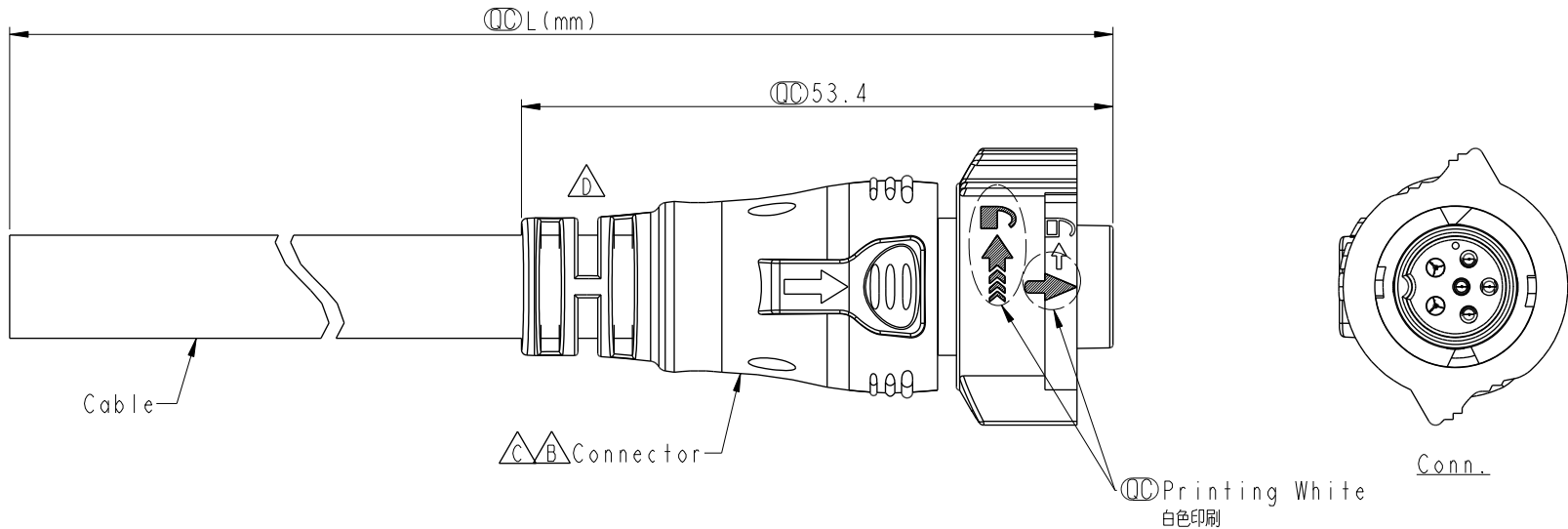
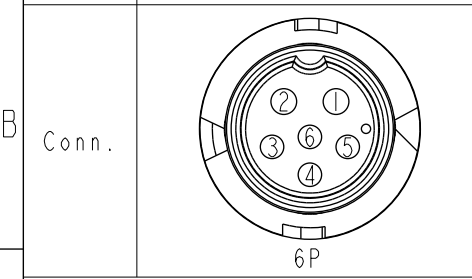


THIS DOCUMENT IS SUBJECT TO CHANGE WITHOUT NOTICE. IT IS CONFIDENTIAL AND A PROPERTY OF Amphenol LTW. DISCLOSURE TO THIRD PARTY HAS TO BE AUTHORIZED BY Amphenol LTW.

REV.	ECN NO.	DATE	SIGN	DESCRIPTION
C	C220644	2022/04/27	Ruru	X5
D	C221777	2022/11/14	Vicky	X1
E	C230120	2023/02/03	Ruru	X1



Pin Out	Color	Gauge	Notes
6	Blue	(26AWG)	藍紅綠白 Twist
5	Red	(26AWG)	
4	Green	(26AWG)	Twist
3	White	(26AWG)	
2	Black	(16AWG)	
1	White	(16AWG)	



Pin Assignments Front View

BBD-XXAFMM-QL8FXX  
 XX: No. Of Pin  
 XX: 01~99Meters  
 01: 01Meter  
 02: 02Meters  
 :  
 :  
 :  
 99: 99Meters

Note:   
 \* RoHS Compliant  
 \* Important dimension  
 \* Waterproof rate: IP68, mated 1m/24h  
 \* Connector  
 Housing: Thermoplastic, Black  
 Pin: Copper Alloy, Gold Plated  
 O-Ring: Rubber, Dark Gray  
 Nut: Thermoplastic, Black  
 Outer mold: Thermoplastic, Black  
 \* Cable: UL21996 16AWG\*2C+(26AWG\*2P+AL/MY)  
 +F+AL/MY, OD=9.3mm, PVC Jacket, Black  
 \* Cable length tolerance: 1M: +50/-0 mm  
 1M < L ≤ 3M: +100/-0 mm  
 3M < L ≤ 5M: +150/-0 mm  
 5M < L ≤ 10M: ±100 mm  
 10M < L ≤ 20M: ±200 mm  
 20M < L ≤ 30M: ±300 mm  
 30M < L ≤ 99M: ±500 mm

UNIT:mm		TITLE	XLOK, B-10A+5A, CABLE W/SR F, M, MOLDING, PUSH LOCK	
TOLERANCE	±0.5 mm	SCALE	3:2	SIZE A4
REV.	E	WC-REV.	A.1	SHEET 1 OF 1
		Inspection item		

**Amphenol LTW**  
 安費諾亮泰企業股份有限公司

ITEM NO	DRAWN BY	DATE
DWG NO	Eric	2019/06/19
BBD-XXAFMM-QL8FXX	CHECKED BY	DATE
CUSTOMER	Brady	2019/06/19
ALTW	APPROVED BY	DATE
	Neo	2019/06/19