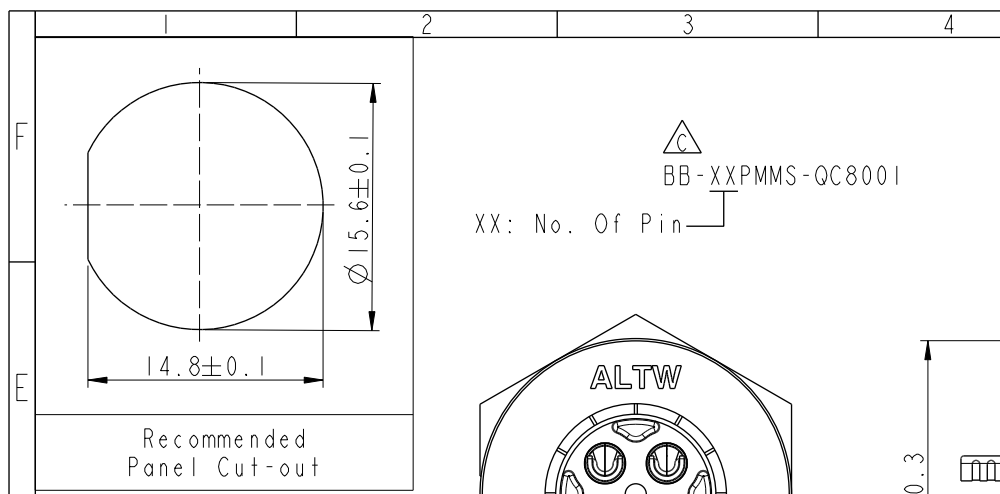
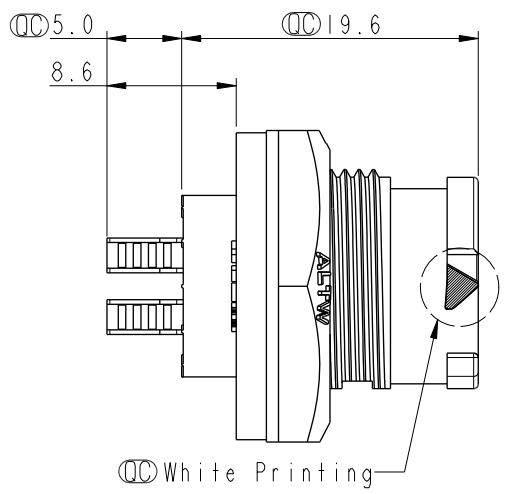
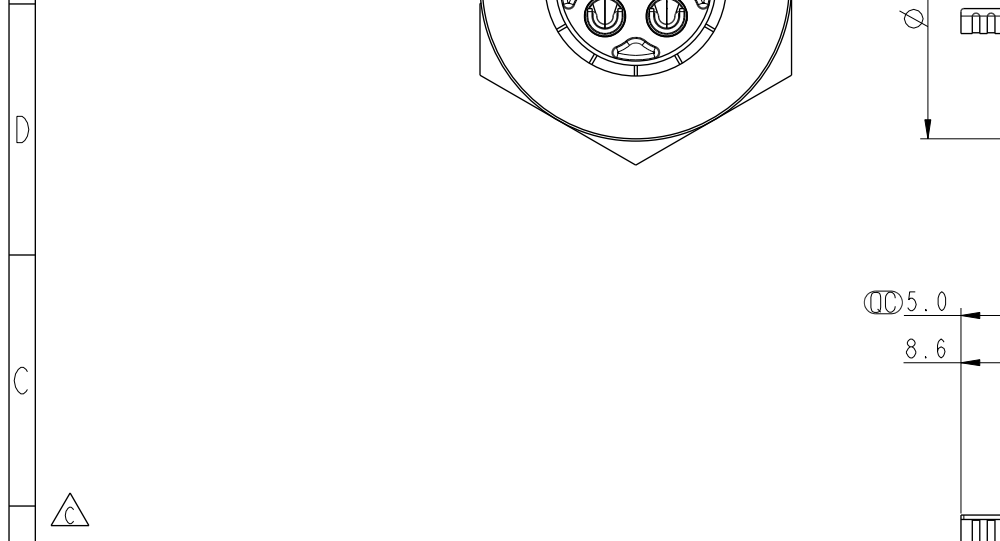
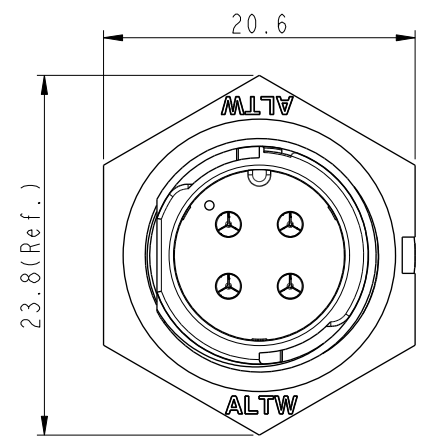
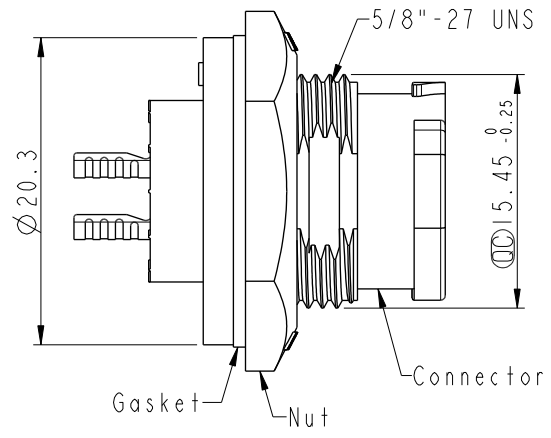
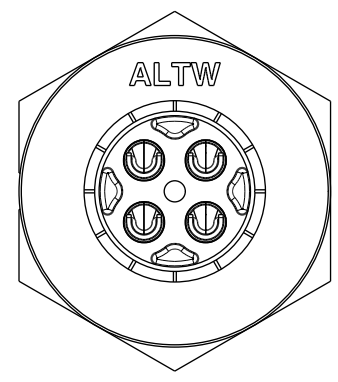


THIS DOCUMENT IS SUBJECT TO CHANGE WITHOUT NOTICE. IT IS CONFIDENTIAL AND A PROPERTY OF Amphenol LTW. DISCLOSURE TO THIRD PARTY HAS TO BE AUTHORIZED BY Amphenol LTW.

REV.	ECN NO.	DATE	SIGN	DESCRIPTION
B	C190411	2019/03/14	Vicky	Change Note
C	C220466	2022/04/13	Ruru	$\triangle C$ X5
D	C230086	2023/01/31	Ruru	$\triangle D$ XI



$\triangle C$
BB-XXPMMS-QC8001
XX: No. Of Pin



- Note: $\triangle B \triangle C$
- * RoHS Compliant
 - * ⌀ Important dimension
 - $\triangle D$ * Waterproof rate: IP68, unmated 1m/24h
 - * Connector
 - Housing: Thermoplastic, Black
 - Pin: Copper alloy, Gold plated
 - * Nut: Thermoplastic, Black
 - * Gasket: Rubber, Gray
 - * Use with waterproof cap or dust cap
 - Panel thickness max: 3.0mm
 - * Use without waterproof cap or dust cap
 - Panel thickness max: 4.0mm
 - * Gasket and nut are packed separately in pe bag

UNIT:mm	TOLERANCE	TITLE
.X	± 0.25 mm	XLOK, B-10A, FRONT FASTENED M, M, SOLDER, PUSH LOCK $\triangle C$
SCALE	SIZE	SHEET
2:1	A4	1 OF 1
REV.	WC-REV.	⌀ : Inspection item
D	A.4	

Amphenol LTW
安費諾亮泰企業股份有限公司

ITEM NO	DRAWN BY	DATE
	Micky	2014-09-12
DWG NO	CHECKED BY	DATE
BB-XXPMMS-QC8001 $\triangle C$	Spring	2014-09-12
CUSTOMER	APPROVED BY	DATE
ALTW	Kevin	2014-09-12