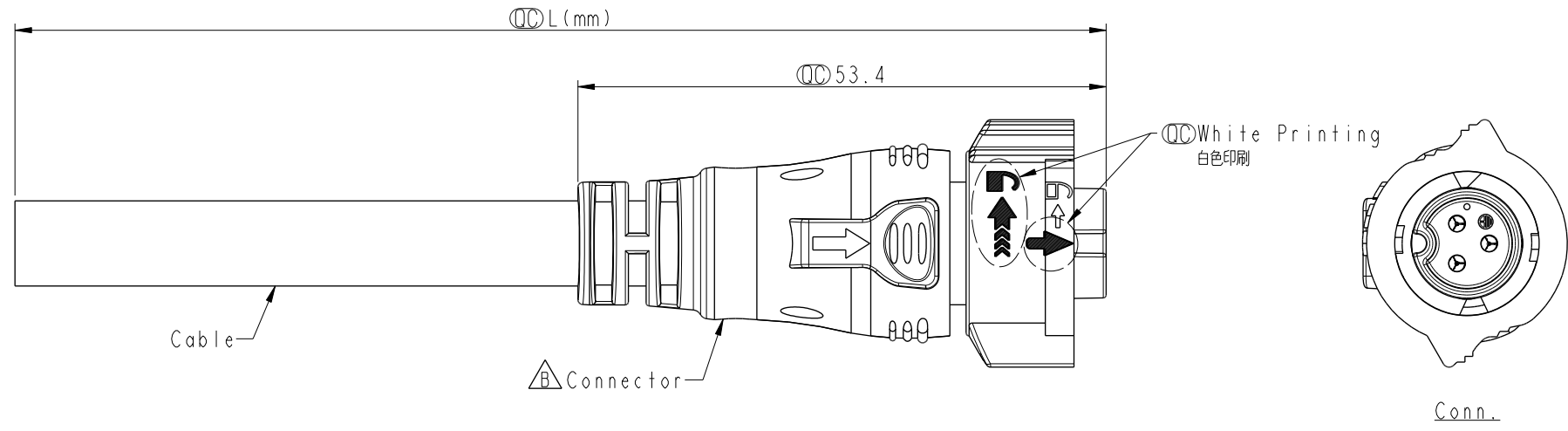


THIS DOCUMENT IS SUBJECT TO CHANGE WITHOUT NOTICE. IT IS CONFIDENTIAL AND A PROPERTY OF AMPHENOL LTW. DISCLOSURE TO THIRD PARTY HAS TO BE AUTHORIZED BY AMPHENOL LTW.

REV.	ECN NO.	DATE	SIGN	DESCRIPTION
B	LE31680195	2016/07/30	Tom Gu	Change Part No. of Half Finished
C	C220458	2022/04/06	Ruru	△C X8
D	C230120	2023/02/03	Ruru	△D XI



- Note: △
- * RoHS Compliant
 - * △ Important dimension
 - △ * Waterproof rate: IP68, mated 1m/24h
 - * Connector
 - Housing: Thermoplastic, Black
 - Pin: Copper Alloy, Gold Plated
 - O-Ring: Rubber, Dark Gray
 - Nut: Thermoplastic, Black
 - Outer mold: Thermoplastic, Black
 - * Cable: SJTW, PVC Jacket, Black
 - * Cable length tolerance: 1M: +50/-0 mm
 - 1M < L ≤ 3M: +100/-0 mm
 - 3M < L ≤ 5M: +150/-0 mm
 - 5M < L ≤ 10M: ±100 mm
 - 10M < L ≤ 20M: ±200 mm
 - 20M < L ≤ 30M: ±300 mm
 - 30M < L ≤ 99M: ±500 mm

UNIT: mm		
TOLERANCE	±0.5 mm	

TITLE XLOK, B-10A, CABLE W/SR F, M, MOLDING, PUSH LOCK △		
SCALE 3:2	SIZE A4	SHEET 1 OF 2
REV. D	WC-REV. A.2	QC: Inspection item

Amphenol LTW
安費諾亮泰企業股份有限公司

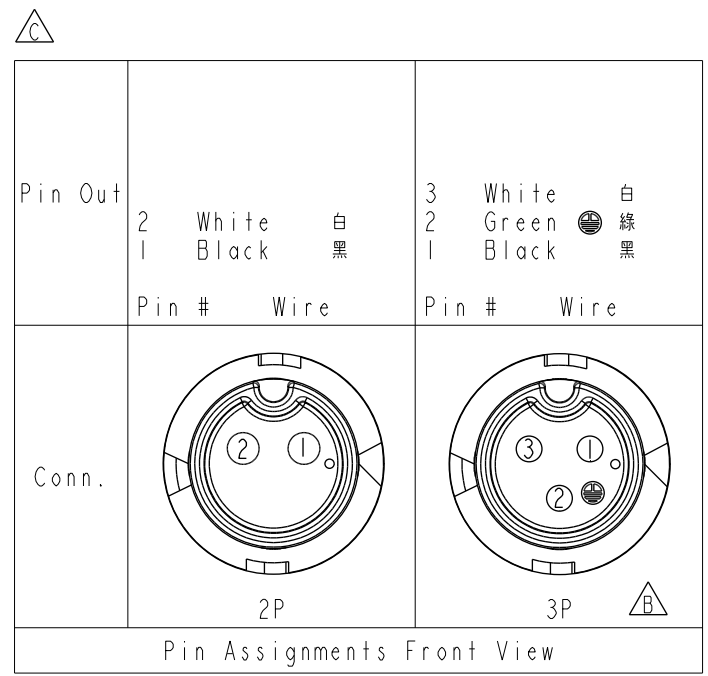
ITEM NO.	DRAWN BY Tom Gu	DATE 2016-07-30
DWG NO. BB-XXAFMM-QL8EXX △	CHECKED BY Spring Liu	DATE 2016-07-30
CUSTOMER ALTW	APPROVED BY Kevin Hu	DATE 2016-07-30

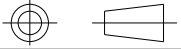
THIS DOCUMENT IS SUBJECT TO CHANGE WITHOUT NOTICE. IT IS CONFIDENTIAL AND A PROPERTY OF Amphenol LTW. DISCLOSURE TO THIRD PARTY HAS TO BE AUTHORIZED BY Amphenol LTW.

3P		PVC	8.6	16	BB-03AFMM-QL8EXX
2P			8.2		BB-02AFMM-QL8EXX
Contacts	Cable Jacket	Cable OD	AWG	Item No.	

△
BB-XXAFMM-QL8EXX
XX: No. Of Pin

XX : 01~99Meters
01 : 01Meter
02 : 02Meters
 :
 :
99 : 99Meters



UNIT:mm 

TOLERANCE ±0.5 mm

TITLE XLOK, B-10A, CABLE W/SR F, M, MOLDING, PUSH LOCK △

SCALE 3:2 SIZE A4 SHEET 2 OF 2

REV. D WC-REV. A.2 (CC): Inspection item

Amphenol LTW
安費諾亮泰企業股份有限公司

ITEM NO	DRAWN BY Tom Gu	DATE 2016-07-30
DWG NO BB-XXAFMM-QL8EXX △	CHECKED BY Spring Liu	DATE 2016-07-30
CUSTOMER ALTW	APPROVED BY Kevin Hu	DATE 2016-07-30