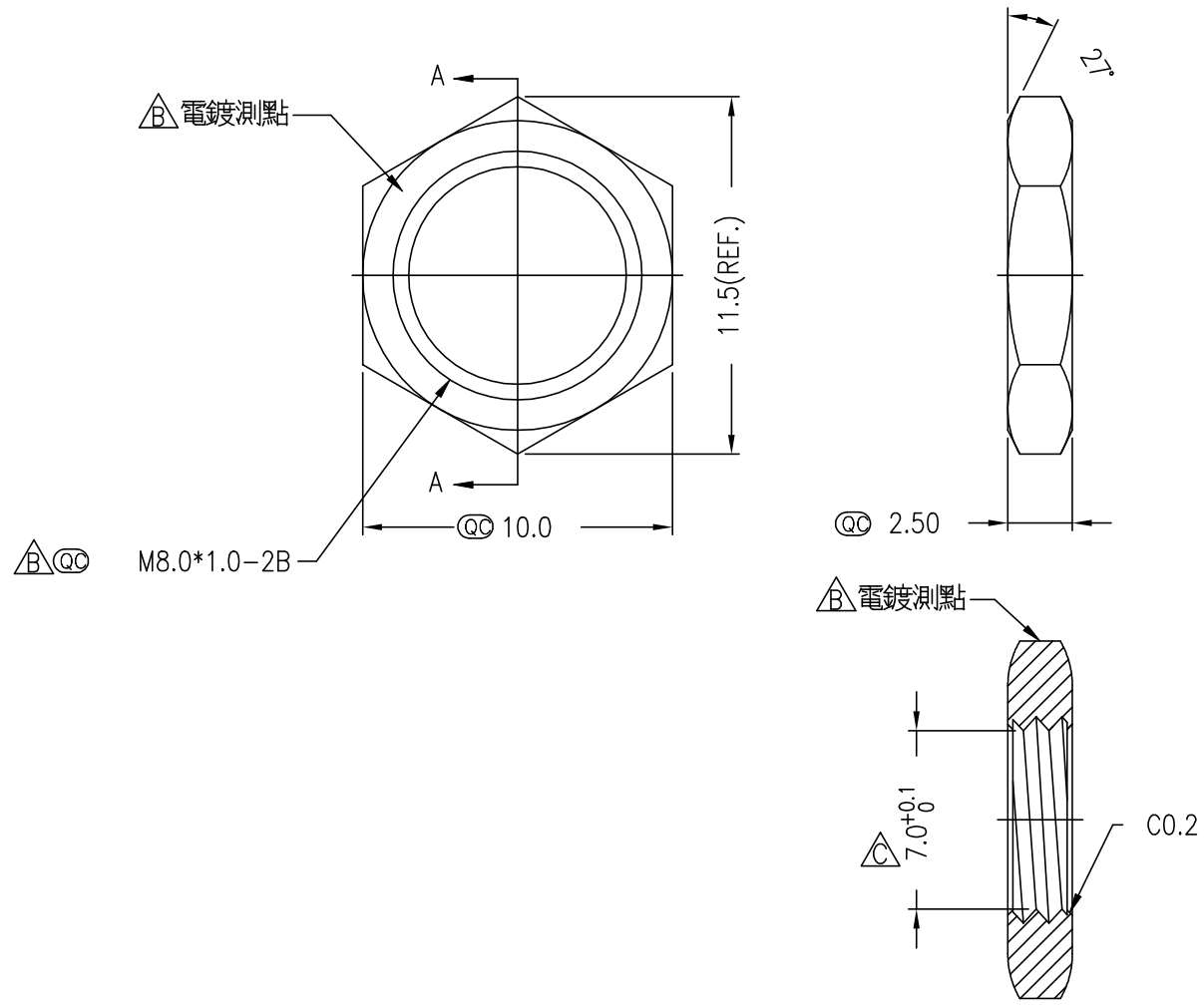


REV.	ECN NO.	DATE	SIGN	DESCRIPTION
B	LEN-730003	2006/12/22	Jerry	符合二級牙規檢驗
C	C231107	2023/09/05	Arvin Chan	\triangle *1



Note:
 * QC 為重點檢驗尺寸
 * Material: Brass.
 * Finish: Nickel Plating, 100u"
 \triangle * QC 以二級牙規為牙徑檢驗標準

SECTION A-A

UNIT:mm		TITLE M8 Shielded Nut		Amphenol LTW		ITEM NO BAB0232NI00	DRAWN BY Jerry	DATE 2007/03/01
TOLERANCE .X ±0.25 .XX ±0.1 .XXX ±0.05 ANGLES ±1°		SCALE Free	SHEET 1 OF 1	安費諾亮泰企業股份有限公司		DWG NO BAB0232NI00	CHECKED BY Simon	DATE 2007/03/01
		REV. C	SIZE A4	QC : Inspection Item		CUSTOMER ALTW	APPROVED BY Max	DATE 2007/03/01

THIS DOCUMENT IS SUBJECT TO CHANGE WITHOUT NOTICE. IT IS CONFIDENTIAL AND A PROPERTY OF Amphenol LTW. DISCLOSURE TO THIRD PARTY HAS TO BE AUTHORIZED BY Amphenol LTW.