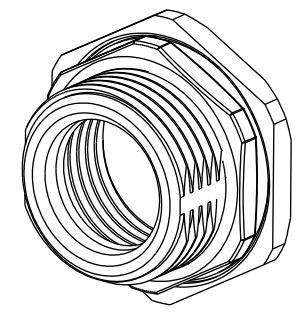
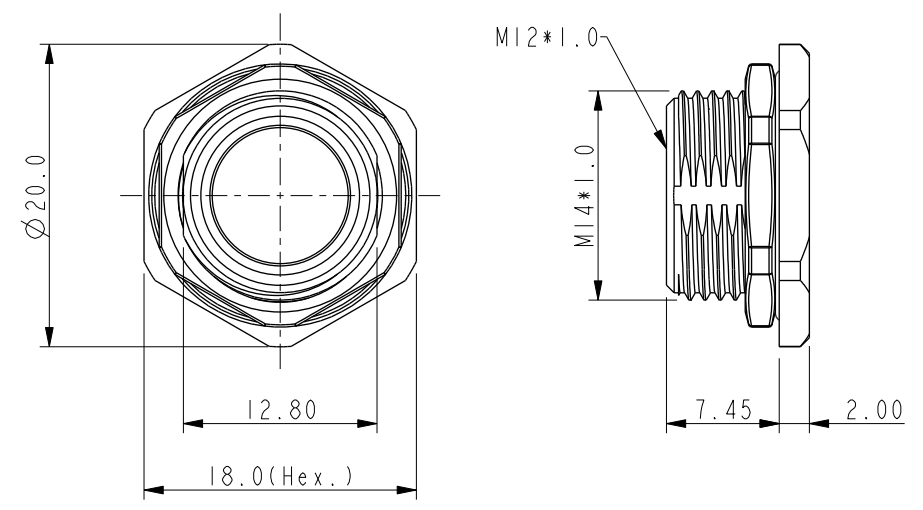
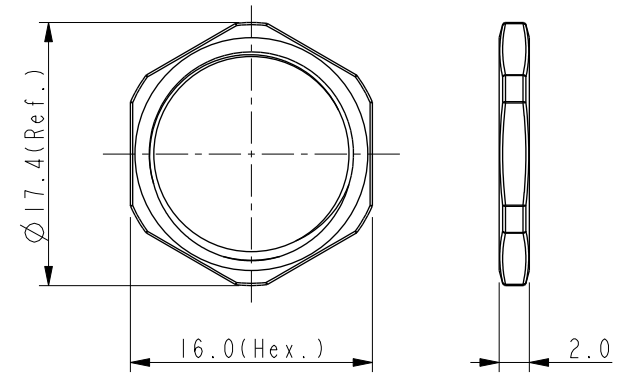
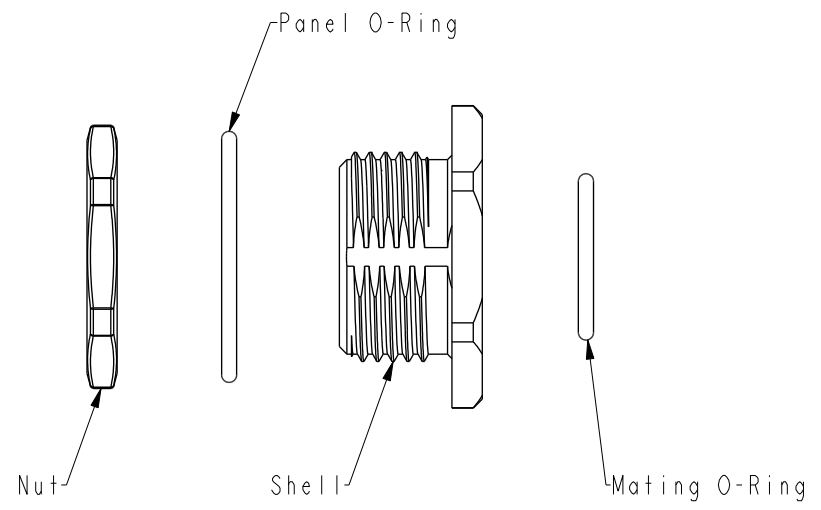
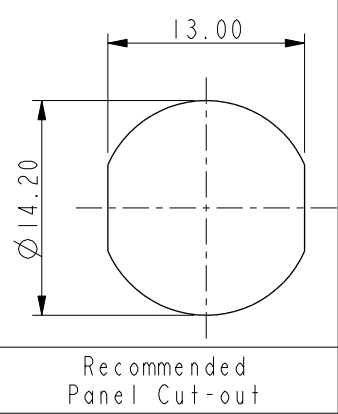


THIS DOCUMENT IS SUBJECT TO CHANGE WITHOUT NOTICE. IT IS CONFIDENTIAL AND A PROPERTY OF Amphenol LTW. DISCLOSURE TO THIRD PARTY HAS TO BE AUTHORIZED BY Amphenol LTW.

REV.	ECN NO.	DATE	SIGN	DESCRIPTION
A		2022-11-01	Allen Pan	Rev.02 To Rev.A
B	C221758	2022-11-14	Allen Pan	\triangle_B x1



- Note:
- 1.Shell: Metal.
 - 2.Nut: Metal.
 - 3.Panel O-Ring: Rubber, Deep Gray.
 - 4.Mating O-Ring: Rubber, Black.
 - 5.For Panel Thickness Max 4mm.
 - \triangle_B 6.O-Ring and nut are packed separately in PE bag.

A	UNIT: mm			TITLE M12 X Code SMT Female Rear Fastened Hexagonal Nut Package			ITEM NO APPM-AAFA012-004		DRAWN BY Allen Pan		DATE 2022-11-01	
	TOLERANCE .X ± 0.25 .XX ± 0.1 .XXX ± 0.05 ANGLES $\pm 1^\circ$	SCALE 2:1	SIZE A4	SHEET 1	OF 1	DWG NO APPM-AAFA012-004		CHECKED BY Sam Ho		DATE 2022-11-01		
	REV. B	WC-REV. A.1			CUSTOMER ALTW		APPROVED BY Fred Lee		DATE 2022-11-01			

Amphenol LTW
安費諾亮泰企業股份有限公司