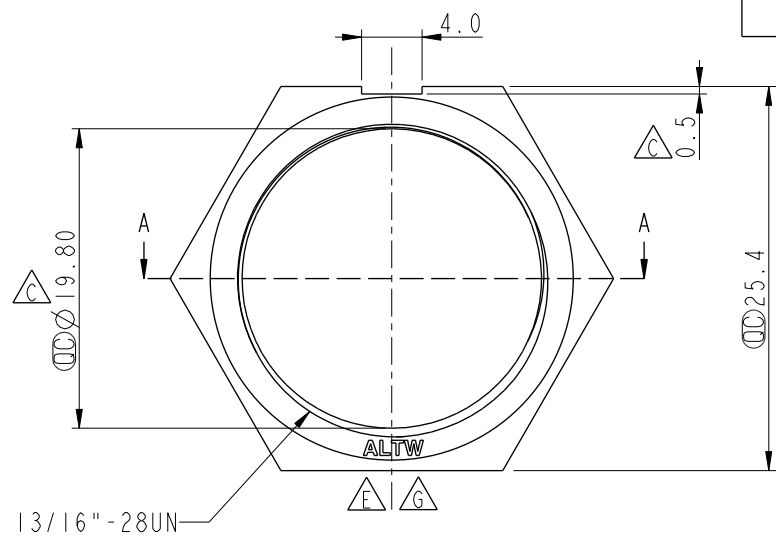
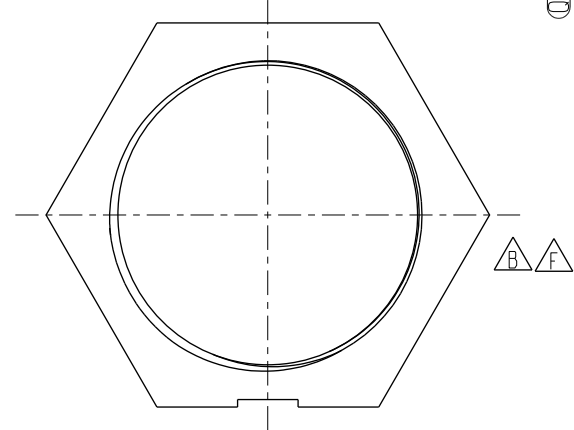
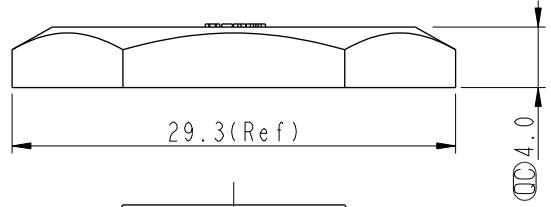


THIS DOCUMENT IS SUBJECT TO CHANGE WITHOUT NOTICE. IT IS CONFIDENTIAL AND A PROPERTY OF AMPHENOL LTW. DISCLOSURE TO THIRD PARTY HAS TO BE AUTHORIZED BY AMPHENOL LTW.

REV.	ECN NO.	DATE	SIGN	DESCRIPTION
F	LEN14C0302	2014/12/04	Lu Di	Remove white Point
G	C220389	2022/03/11	Qianxiang	$\triangle G$ X3
H	C221174	2022/08/09	Vicky	$\triangle H$ X1



Section A-A



- $\triangle G$ Note:
- * CC Important Dimension
 - $\triangle H$ * Material: Nylon+25%GF, Dupont FR50 or 晉倫 A0520FN
 - * Color: Black
 - * Mold No.: TM21032A02

UNIT: mm		
TOLERANCE	.X	± 0.25
	.XX	± 0.1
	.XXX	± 0.05
ANGLES		$\pm 1^\circ$

TITLE PANEL NUT, 13/16"-28, BK L4, ALTW, TM21032A02			
SCALE	SIZE	SHEET	OF
2:1	A4	1	1
REV.	WC-REV.	CC : Inspection item	
H	.0		

Amphenol LTW
安費諾亮泰企業股份有限公司

ITEM NO. $\triangle B$ ANA138XXX01	DRAWN BY Lu Di	DATE 2014/12/04
DWG NO. $\triangle B$ ANA138XXX01	CHECKED BY Joyy	DATE 2014/12/04
CUSTOMER ALTW	APPROVED BY Jerry	DATE 2014/12/04