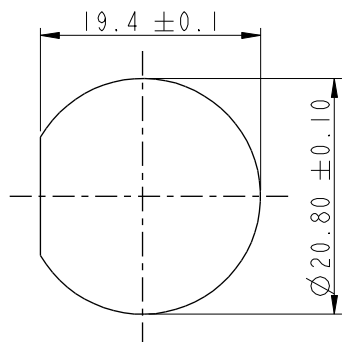
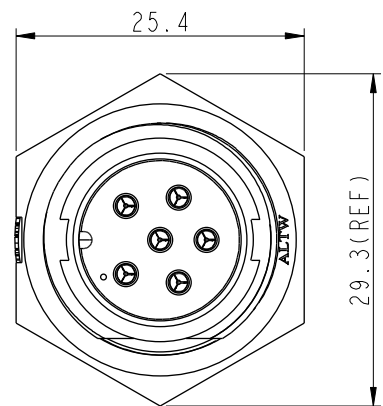
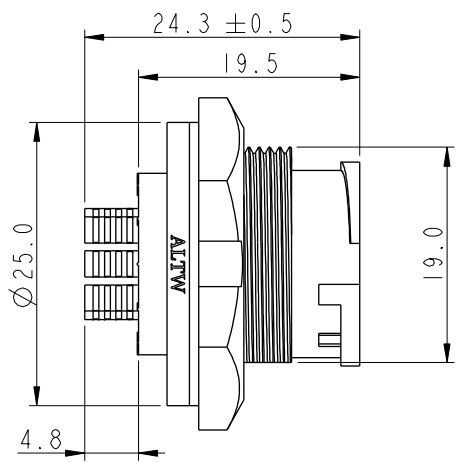
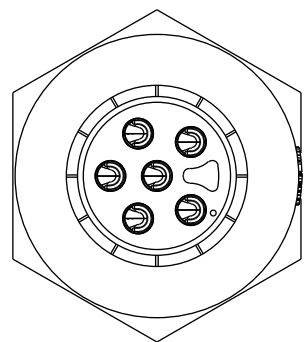


THIS DOCUMENT IS SUBJECT TO CHANGE WITHOUT NOTICE. IT IS CONFIDENTIAL AND A PROPERTY OF AMPHENOL LTW. DISCLOSURE TO THIRD PARTY HAS TO BE AUTHORIZED BY AMPHENOL LTW.

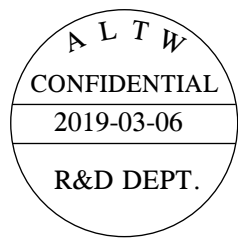
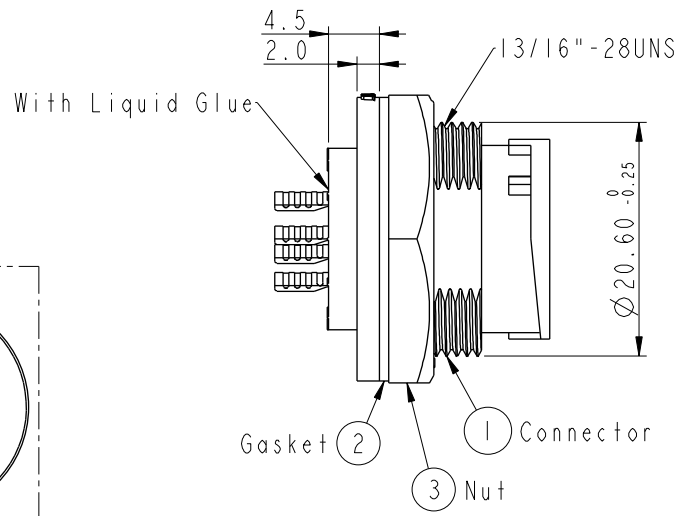
REV.	ECN NO.	DATE	SIGN	DESCRIPTION
B	C190348	2019/03/06	Vicky	Change Note



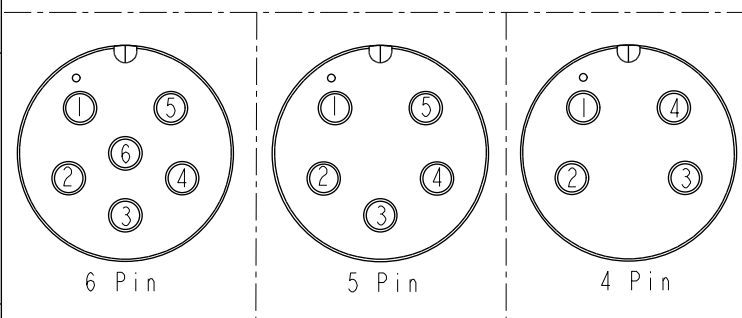
Recommended Panel
Cut-Out



ACB-XXPMMS-LC7001
04: 4Pin
:
06: 6Pin



- Note:**
- * Important Dimension To Check.
 - * Waterproof Rate: IP67, Unmated.
 - * Housing: Thermoplastic, Black.
 - * Pin: Copper Alloy, Gold Plated.
 - * Nut: Thermoplastic, Black.
 - * Gasket: Rubber, Gray
 - * Use with waterproof cap or dust cap
Maximum Panel Thickness: 2.8mm
 - * Use without waterproof cap or dust cap
Maximum Panel Thickness: 4.0mm
 - * Gasket and Nut are packed separately
in PE bags. (Gasket/Nut 不組裝, 散裝出貨)



Pin Assignments Front View

UNIT: mm		TITLE MIDDLE PANEL LOCK M CONN M PIN		
TOLERANCE	.X ±0.25 .XX ±0.1 .XXX ±0.05 ANGLES ±1°	SCALE 3:2	SIZE A4	SHEET 1 OF 1
REV.	B	WC-REV.	A.2	Inspection item

Amphenol LTW
安費諾亮泰企業股份有限公司

ITEM NO.	DRAWN BY	DATE
DWG NO. ACB-XXPMMS-LC7001	Vicky	2019-03-06
CUSTOMER	CHECKED BY	DATE
ALTW	Rita	2019-03-06
	APPROVED BY	DATE
	Max	2019-03-06