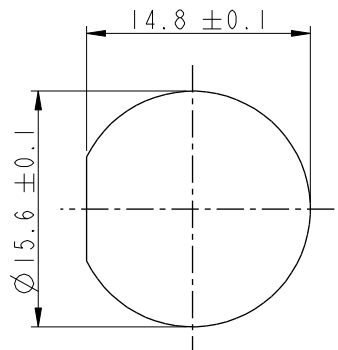


THIS DOCUMENT IS SUBJECT TO CHANGE WITHOUT NOTICE. IT IS CONFIDENTIAL AND A PROPERTY OF Amphenol LTW. DISCLOSURE TO THIRD PARTY HAS TO BE AUTHORIZED BY Amphenol LTW.

REV.	ECN NO.	DATE	SIGN	DESCRIPTION
B	C190346	2019/03/05	Vicky	Change Note



Recommended Panel Cut-Out

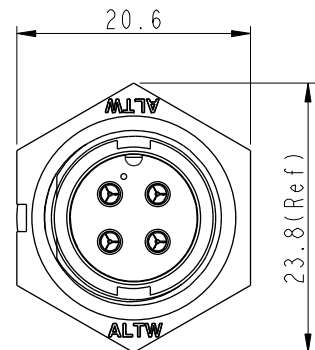
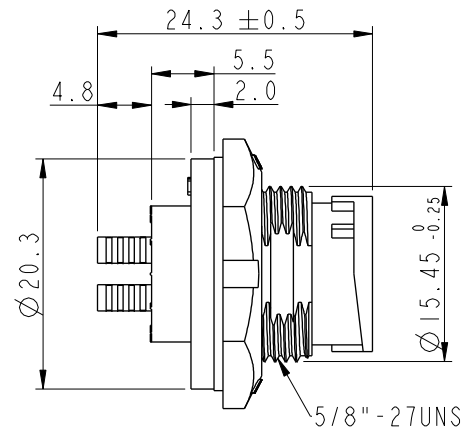
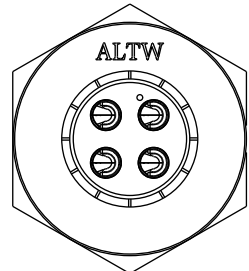
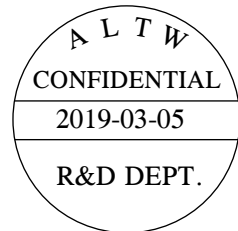
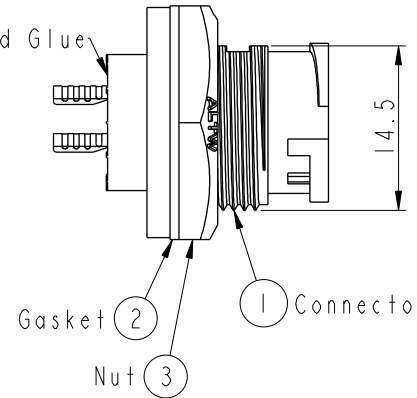


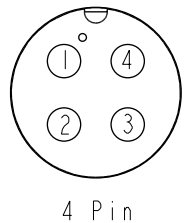
ABB-XXPMMS-LC7001

02: 2Pin
:
04: 4Pin

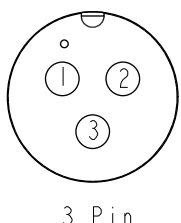
With Liquid Glue



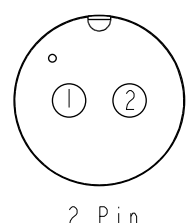
- Note:**
- * Important Dimension To Check.
 - * Waterproof Rate: IP67, Unmated.
 - * Housing: Thermoplastic, Black.
 - * Pin: Copper Alloy, Gold Plated.
 - * Nut: Thermoplastic, Black.
 - * Gasket: Rubber, Gray.
 - * Use with waterproof cap or dust cap
Maximum Panel Thickness: 2.8mm
 - * Use without waterproof cap or dust cap
Maximum Panel Thickness: 4.0mm
 - * Gasket and Nut are packed separately in PE bags. (Gasket/Nut不組裝, 散裝出貨)



4 Pin



3 Pin



2 Pin

Pin Assignments Front View

UNIT: mm		TITLE STANDARD PANEL LOCK M CONN MPIN		
TOLERANCE .X ±0.25 .XX ±0.1 .XXX ±0.05 ANGLES ±1°	SCALE 3:2	SIZE A4	SHEET 1	OF 1
REV. B	WC-REV. A.1	Inspection item		

Amphenol LTW
安費諾亮泰企業股份有限公司

ITEM NO	DRAWN BY Vicky	DATE 2019-03-05
DWG NO ABB-XXPMMS-LC7001	CHECKED BY Rita	DATE 2019-03-05
CUSTOMER ALTW	APPROVED BY Max	DATE 2019-03-05