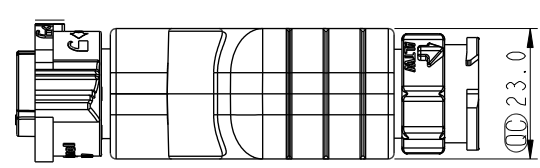
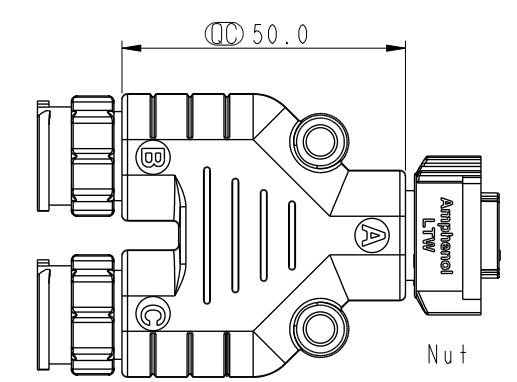
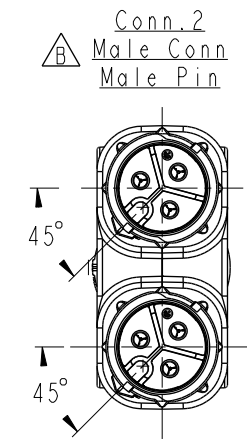
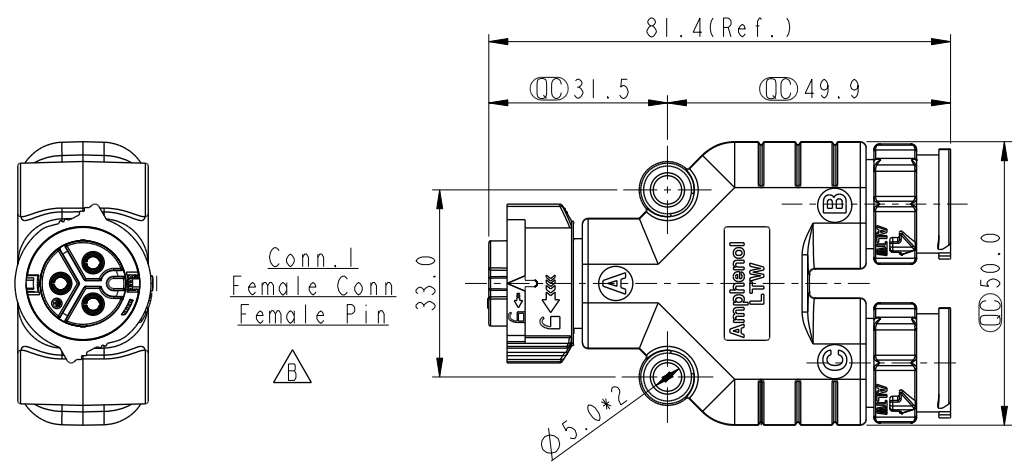


THIS DOCUMENT IS SUBJECT TO CHANGE WITHOUT NOTICE. IT IS CONFIDENTIAL AND A PROPERTY OF Amphenol LTW. DISCLOSURE TO THIRD PARTY HAS TO BE AUTHORIZED BY Amphenol LTW.

REV.	ECN NO.	DATE	SIGN	DESCRIPTION
B	C191866	2019/11/06	Ouyang	△B X5
C	C220487	2022/03/31	Vicky	△C X4
D	C230087	2023/01/31	Vicky	△D X2



- △C Note:
- \* RoHS Compliant
  - \* ∅ Important dimension
  - \* CI
  - △D Waterproof rate: IP68, mated 1m/24h  
Housing: Thermoplastic, Black  
Pin: Copper alloy, Gold plated  
O-Ring: Rubber, Gray  
Nut: Thermoplastic, Black
  - \* C2 & C3
  - △D Waterproof rate: IP68, mated 1m/24h  
Housing: Thermoplastic, Black  
Pin: Copper alloy, Gold plated
  - \* Wire: UL1007, 16AWG
  - \* Wire: UL1015, 12AWG
  - \* Outer Mold: Thermoplastic, Black

UNIT: mm			TITLE ACC, XLOK, C-20A, Y ADA W/O CB FMM
TOLERANCE ±0.5mm	SCALE 1:1	SIZE A4	SHEET 1 OF 2
REV. D	WC-REV. .0	∅: Inspection item	

**Amphenol LTW**  
安費諾亮泰企業股份有限公司

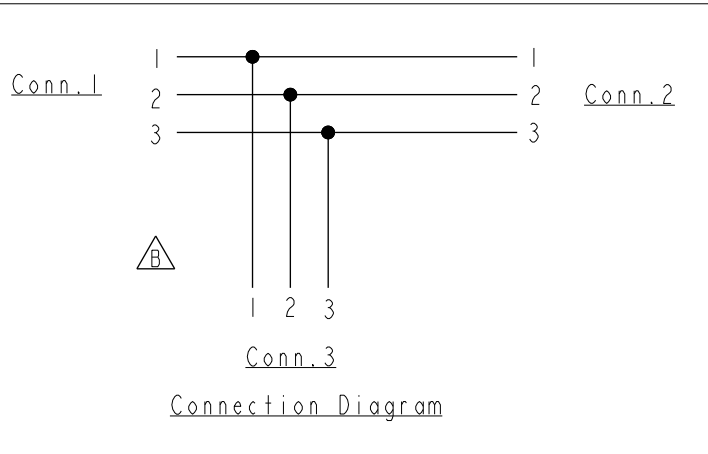
ITEM NO.	DRAWN BY Ouyang	DATE 2019-08-02
DWG NO. AB-CC-XXXXXX-FMM-YQ001	CHECKED BY Jerry	DATE 2019-08-02
CUSTOMER ALTW	APPROVED BY Fred	DATE 2019-08-02

THIS DOCUMENT IS SUBJECT TO CHANGE WITHOUT NOTICE. IT IS CONFIDENTIAL AND A PROPERTY OF Amphenol LTW. DISCLOSURE TO THIRD PARTY HAS TO BE AUTHORIZED BY Amphenol LTW.

AB-CC-XXXXXX-FMM-YQ001



XXXXXX: No. Of Pin



	Pin Assignments Front View			
	2Pin		3Pin	
Male				
Female				
Pin Out	Pin#	Color	Pin#	Color
	Pin1	Red(紅)	Pin1	Red(紅)
	Pin3	Black(黑)	Pin2	Green(綠)
			Pin3	Black(黑)

UNIT:mm		TITLE	ACC, XLOK, C-20A, Y ADA W/O CB FMM	
TOLERANCE	±0.5mm	SCALE	1:1	SIZE A4
		REV.	D	WC-REV. .0
		SHEET	2	OF 2
		☉: Inspection item		

**Amphenol LTW**  
安費諾亮泰企業股份有限公司

ITEM NO	DRAWN BY	DATE
	Ouyang	2019-08-02
DWG NO	CHECKED BY	DATE
AB-CC-XXXXXX-FMM-YQ001	Jerry	2019-08-02
CUSTOMER	APPROVED BY	DATE
ALTW	Fred	2019-08-02