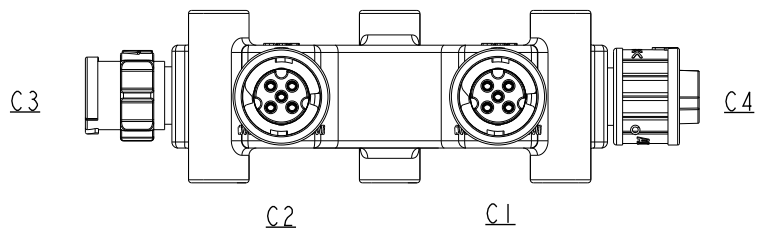
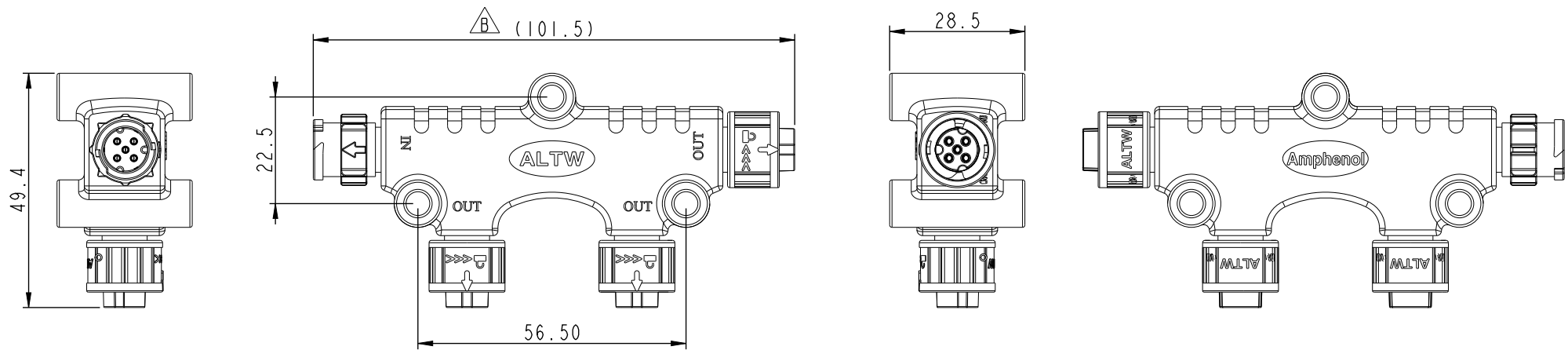



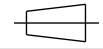
THIS DOCUMENT IS SUBJECT TO CHANGE WITHOUT NOTICE. IT IS CONFIDENTIAL AND A PROPERTY OF Amphenol LTW. DISCLOSURE TO THIRD PARTY HAS TO BE AUTHORIZED BY Amphenol LTW.

REV.	ECN NO.	DATE	SIGN	DESCRIPTION
A		2020/01/16	Eric	Initial Release
B	C200785	2020/07/01	Eric	△BxI



Note:

- * \varnothing Important Dimension To Check.
- * Waterproof Rate: IP68(Mated)
- * C1 & C2 & C4
 Housing: Thermoplastic, Black
 Female Pin: Copper Alloy, Gold plated
 Nut: Thermoplastic, Black
- * C3
 Housing: Thermoplastic, Black
 Male Pin: Copper Alloy, Gold plated
 Nut: Thermoplastic, Black

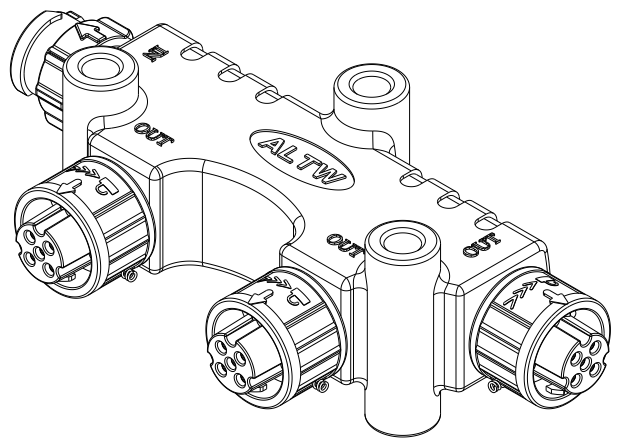
UNIT: mm  
 TOLERANCE ±0.50mm

TITLE X Lok A Size 2-WAY TEE			
SCALE 1:1	SIZE A4	SHEET 1 OF 2	
REV. B	WC-REV. A.1	\varnothing : Inspection item	

Amphenol LTW
 安費諾亮泰企業股份有限公司

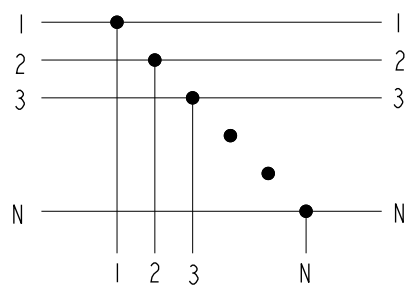
ITEM NO. AB-AD-XXXX00-FFMF00-0001	DRAWN BY Eric	DATE 2020/01/07
DWG NO. AB-AD-XXXX00-FFMF00-0001	CHECKED BY Brady	DATE 2020/01/07
CUSTOMER ALTW	APPROVED BY Neo	DATE 2020/01/07

THIS DOCUMENT IS SUBJECT TO CHANGE WITHOUT NOTICE. IT IS CONFIDENTIAL AND A PROPERTY OF Amphenol LTW. DISCLOSURE TO THIRD PARTY HAS TO BE AUTHORIZED BY Amphenol LTW.



AB-AD-XXXX00-FFMF00-Q001

Connector Type:
 02: 2Pin
 03: 3Pin
 :
 :
 N: N Pin



Connection Diagram

	Pin Assignment Front View							
	2PIN		3PIN		4PIN		5PIN	
Female								
Male								
Pin Out	Pin	Color	Pin	Color	Pin	Color	Pin	Color
	Pin1 Pin3	Green Black	Pin1 Pin3 Pin4	Green Black White	Pin1 Pin2 Pin3 Pin4	Green Red Black White	Pin1 Pin2 Pin3 Pin4 Pin5	Green Red Black White Blue

UNIT: mm

TOLERANCE
±0.50mm

TITLE
X Lok A Size
2-WAY TEE

SCALE 1:1 SIZE A4 SHEET 2 OF 2

REV. A WC-REV. A.1 Inspection item

Amphenol LTW
 安費諾亮泰企業股份有限公司

ITEM NO
AB-AD-XXXX00-FFMF00-Q001

DWG NO
AB-AD-XXXX00-FFMF00-Q001

CUSTOMER
ALTW

DRAWN BY
Eric

CHECKED BY
Brady

APPROVED BY
Neo

DATE
2020/01/07

DATE
2020/01/07

DATE
2020/01/07