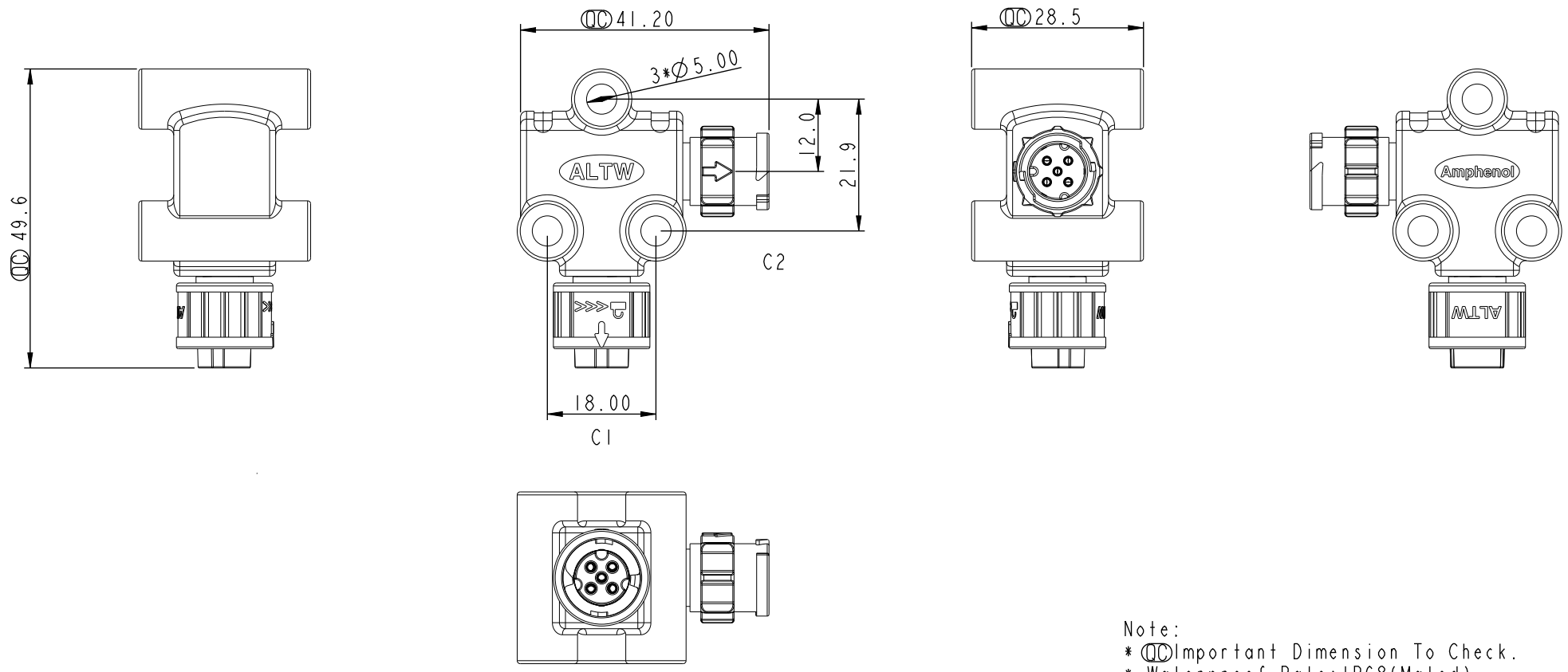


THIS DOCUMENT IS SUBJECT TO CHANGE WITHOUT NOTICE. IT IS CONFIDENTIAL AND A PROPERTY OF Amphenol LTW. DISCLOSURE TO THIRD PARTY HAS TO BE AUTHORIZED BY Amphenol LTW.

REV.	ECN NO.	DATE	SIGN	DESCRIPTION
A		2020/01/16	Eric	Initial Release
B	C220603	2022/04/18	Leon	$\triangle B$ *2
C	C230657	2023/05/22	Alex	$\triangle C$ *2



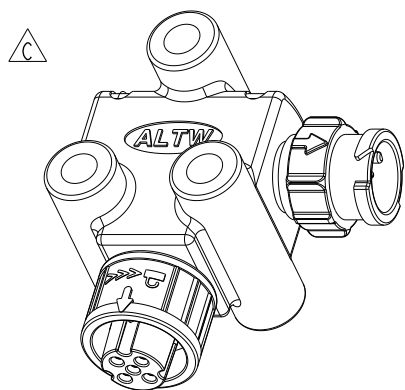
Note:  
 \*  $\varnothing$  Important Dimension To Check.  
 \* Waterproof Rate: IP68(Mated)  
 \* C1  
 Housing: Thermoplastic, Black  
 Female Pin: Copper Alloy, Gold plated  
 Nut: Thermoplastic, Black  
 \* C2  
 Housing: Thermoplastic, Black  
 Male Pin: Copper Alloy, Gold plated

UNIT: mm			TITLE X-Lok A Size L-Adaptor		
TOLERANCE $\pm 0.50\text{mm}$		SCALE 1:1	SIZE A4	SHEET 1 OF 2	
REV. C	WC-REV. A.1	$\varnothing$ : Inspection item			

**Amphenol LTW**  
 安費諾亮泰企業股份有限公司

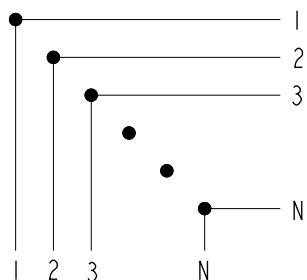
ITEM NO. $\triangle B$	DRAWN BY Eric	DATE 2020/01/16
DWG NO. AB-AD-00XXXX-0FM-LQ001	CHECKED BY Brady	DATE 2020/01/16
CUSTOMER ALTW	APPROVED BY Neo	DATE 2020/01/16

THIS DOCUMENT IS SUBJECT TO CHANGE WITHOUT NOTICE. IT IS CONFIDENTIAL AND A PROPERTY OF Amphenol LTW. DISCLOSURE TO THIRD PARTY HAS TO BE AUTHORIZED BY Amphenol LTW.



AB-AD-00XXXX-0FM-LQ001

Connector Type:  
 02: 2Pin  
 03: 3Pin  
 :  
 :  
 N: N Pin



Connection Diagram

	Pin Assignment Front View							
	2PIN		3PIN		4PIN		5PIN	
Female								
Male								
Pin Out	Pin	Color	Pin	Color	Pin	Color	Pin	Color
	Pin1 Pin3	Green Black	Pin1 Pin3 Pin4	Green Black White	Pin1 Pin2 Pin3 Pin4	Green Red Black White	Pin1 Pin2 Pin3 Pin4 Pin5	Green Red Black White Blue

UNIT:mm

TOLERANCE  $\pm 0.50\text{mm}$

TITLE X-Lok A Size L-Adaptor

SCALE 1:1 SIZE A4 SHEET 2 OF 2

REV. C WC-REV. A.1 Inspection item

**Amphenol LTW**  
 安費諾亮泰企業股份有限公司

ITEM NO

DWG NO AB-AD-00XXXX-0FM-LQ001

CUSTOMER ALTW

DRAWN BY Eric

CHECKED BY Brady

APPROVED BY Neo

DATE 2020/01/16

DATE 2020/01/16

DATE 2020/01/16