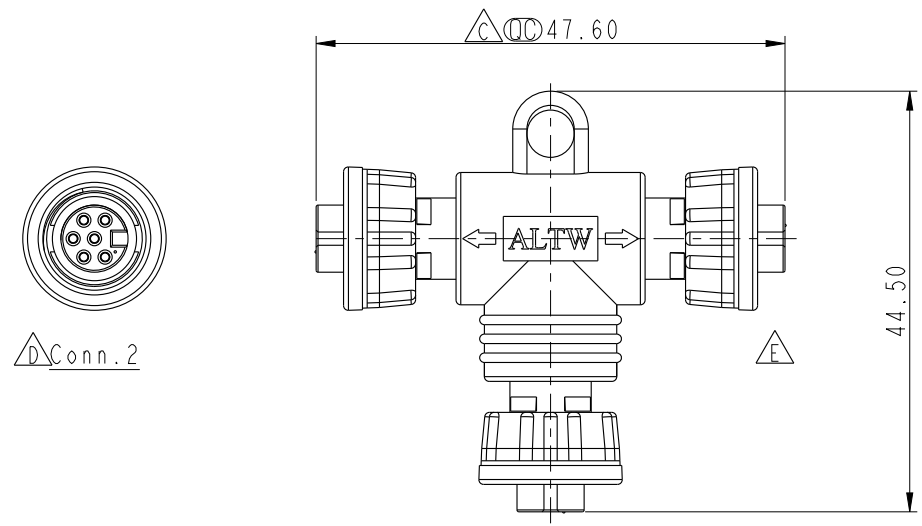
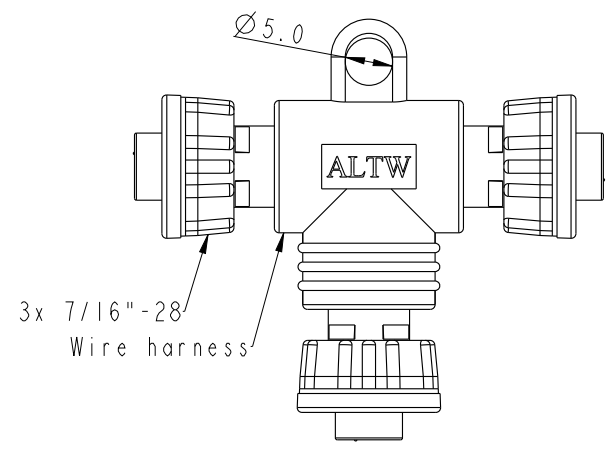


THIS DOCUMENT IS SUBJECT TO CHANGE WITHOUT NOTICE. IT IS CONFIDENTIAL AND A PROPERTY OF AMPHENOL LTW. DISCLOSURE TO THIRD PARTY HAS TO BE AUTHORIZED BY AMPHENOL LTW.

REV.	ECN NO.	DATE	SIGN	DESCRIPTION
C	C221704	2022/10/24	Zhi Cheng	△C X1
D	C230552	2023/05/04	Ruru	△D X7
E	C231429	2023/11/13	Lavy	△E X2



Front Side



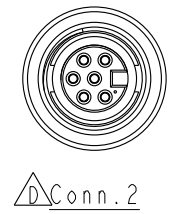
Back Side

△ AA-XXXXXX-FFF-TS001

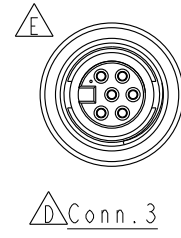
XX: No. Of Pin

△△ Note:

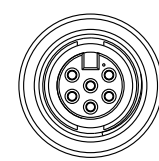
- * RoHS Compliant
- * Ⓞ Important dimension
- * Waterproof rate: IP66, mated
- * Connector
 - Housing: Thermoplastic, Black
 - Pin: Copper alloy, Gold plated
 - Nut: Thermoplastic, Black
 - O-Ring: Rubber, Black
- * Outer mold: Thermoplastic, Black
- * Wire Harness: UL1061 24AWG



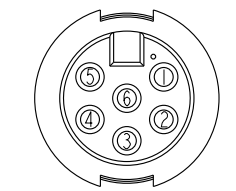
△ Conn. 2



△ Conn. 3



△ Conn. 1



C1 & C2 & C3
Pin Assignments
Front View

6	Gray	灰
5	Yellow	黃
4	Green	綠
3	White	白
2	Blue	藍
1	Brown	棕
C1\C2\C3	Wire Color	
	Pin Out	

UNIT:mm
TOLERANCE
±0.5 mm

TITLE ACC, CERES, A-2A, T ADA W/O CB
FFF
SCALE 5:4 SIZE A4 SHEET 1 OF 1
REV. E WC-REV. .0 Ⓞ: Inspection item

Amphenol LTW
安費諾亮泰企業股份有限公司

ITEM NO
DWG NO
CUSTOMER
AA-XXXXXX-FFF-TS001
ALTW

DRAWN BY
Lavy
CHECKED BY
Jerry
APPROVED BY
Fred

DATE
2023-11-13
DATE
2023-11-13
DATE
2023-11-13