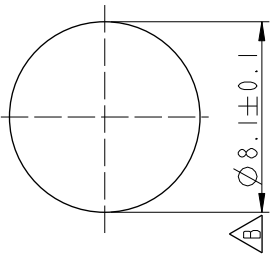
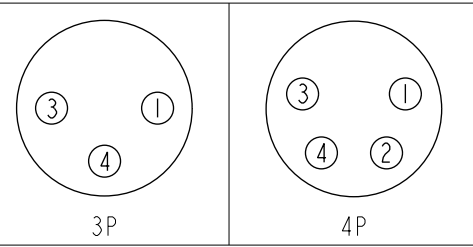
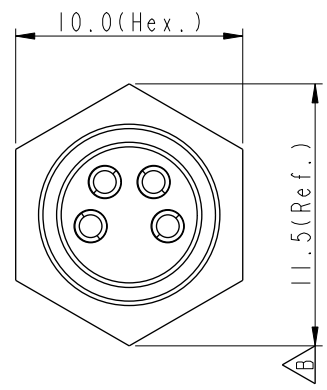
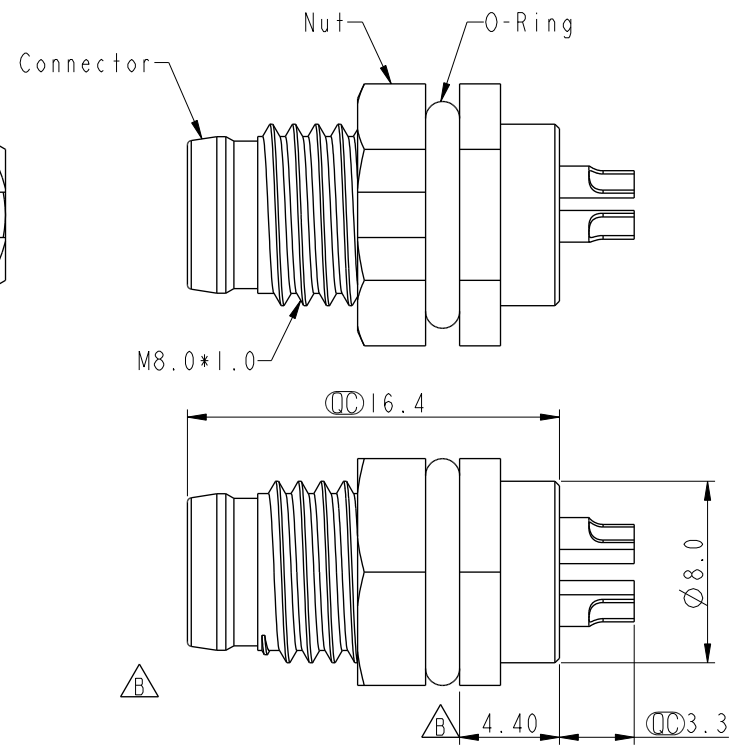
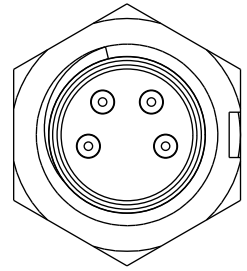


THIS DOCUMENT IS SUBJECT TO CHANGE WITHOUT NOTICE. IT IS CONFIDENTIAL AND A PROPERTY OF Amphenol LTW. DISCLOSURE TO THIRD PARTY HAS TO BE AUTHORIZED BY Amphenol LTW.

REV.	ECN NO.	DATE	SIGN	DESCRIPTION
C	C200518	2020/04/25	Peng	$\triangle C$ XI
D	C210686	2021/05/11	Vicky	$\triangle D$ X5
E	C221880	2022/12/06	Vicky	$\triangle E$ XI



Recommended Panel Cut-Out



$\triangle D$ Pin Assignments Front View

$\triangle D$ 8P-XXPMMS-SF7001
 XX: No. Of Pin

- Note:
- * RoHS Compliant
 - * $\text{\textcircled{C}}$ Important dimension
 - * Waterproof rate: IP67, unmated
 - * Connector
 - Housing: Thermoplastic, Black
 - Pin: Copper alloy, Gold plated
 - * Nut: Thermoplastic, Black
 - * O-Ring: Rubber, Black
 - * For panel thickness(screw type)max: 1.9mm
 - * For panel thickness(snap-in type)max: 3.0mm
 - * Nut is packed separately in pe bag

UNIT:mm			TITLE
TOLERANCE	.X ± 0.25	.XX ± 0.1	O SEN, M8 PLASTIC RECEPTACLE, M, M, SOLDER
.XXX ± 0.05	ANGLES $\pm 1^\circ$	SCALE 3:1	SIZE A4
		REV. E	WC-REV. A.5
			$\text{\textcircled{C}}$: Inspection item

Amphenol LTW
 安費諾亮泰企業股份有限公司

ITEM NO	DRAWN BY	DATE
	Ivan Lin	2009-01-07
DWG NO	CHECKED BY	DATE
$\triangle D$ 8P-XXPMMS-SF7001	Tommy Hom	2009-01-07
CUSTOMER	APPROVED BY	DATE
ALTW	Luke Chang	2009-01-07