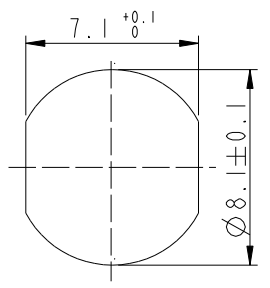
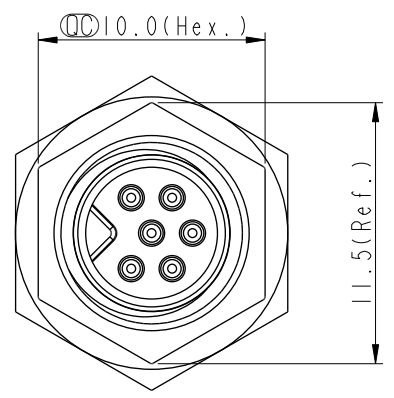
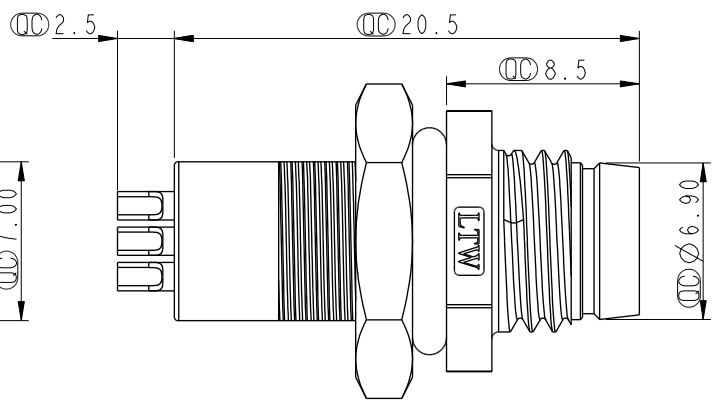
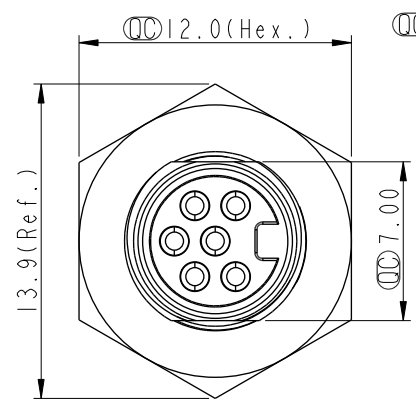


THIS DOCUMENT IS SUBJECT TO CHANGE WITHOUT NOTICE. IT IS CONFIDENTIAL AND A PROPERTY OF Amphenol LTW. DISCLOSURE TO THIRD PARTY HAS TO BE AUTHORIZED BY Amphenol LTW.

REV.	ECN NO.	DATE	SIGN	DESCRIPTION
B	C210686	2021/05/10	Vicky	△B X5
C	C221871	2022/12/02	Vicky	△C X1

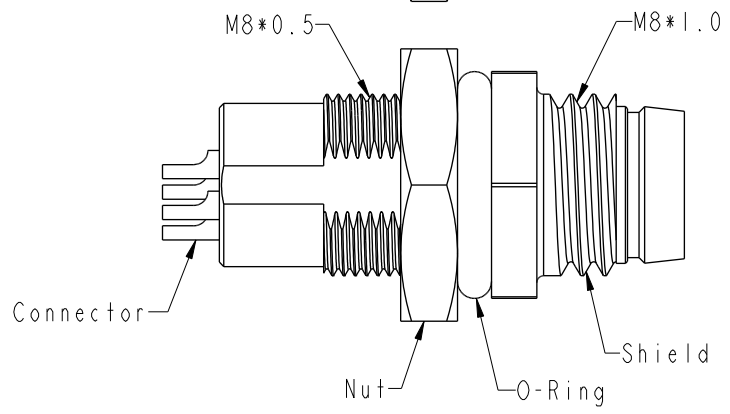


Recommended Panel Cut-Out

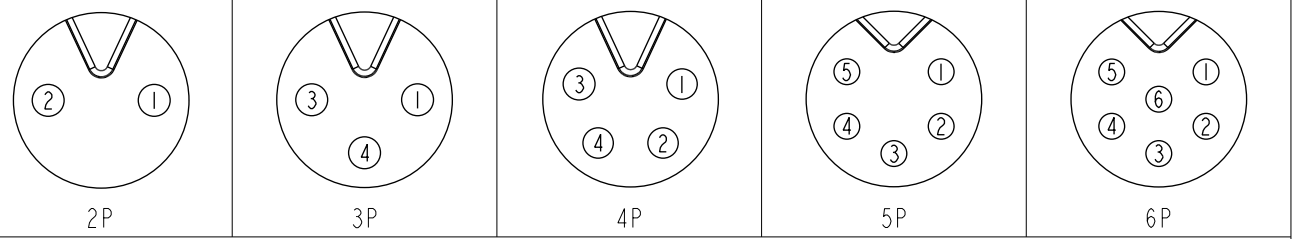


△B 8A-XXPMS-SH7001

XX: No. Of Pin



- △B Note:
- * RoHS Compliant
 - * ∅ Important dimension
 - △C * Waterproof rate: IP67, unmated
 - * Connector
 - Housing: Thermoplastic, Black
 - Pin: Copper alloy, Gold plated
 - * Shield: Metal
 - * Nut: Metal
 - * O-Ring: Rubber, Black
 - * For panel thickness max: 3.5mm
 - * Nut is packed separately in pe bag



△B Pin Assignments Front View

UNIT: mm		
TOLERANCE		
.X	±0.25	
.XX	±0.1	
.XXX	±0.05	
ANGLES	±1°	

TITLE O SEN, M8 W/KEY RECEPTACLE, M, M, SOLDER			△B
SCALE 3:1	SIZE A4	SHEET 1 OF 1	
REV. C	WC-REV. A.5	∅: Inspection item	

Amphenol LTW
安費諾亮泰企業股份有限公司

ITEM NO.	DRAWN BY Tony_leng	DATE 2013-10-22
DWG NO. △B 8A-XXPMS-SH7001	CHECKED BY Jimmy	DATE 2013-10-22
CUSTOMER ALTW	APPROVED BY Jerry	DATE 2013-10-22