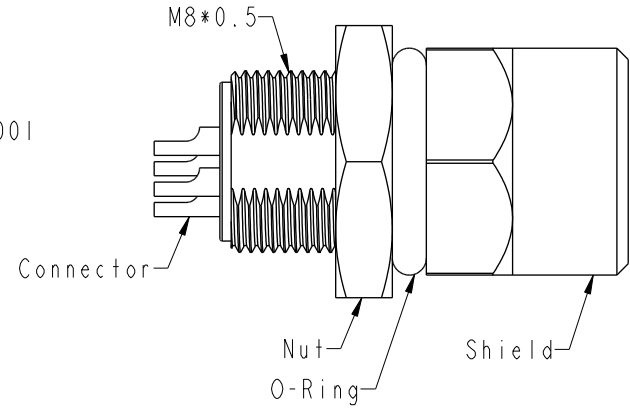
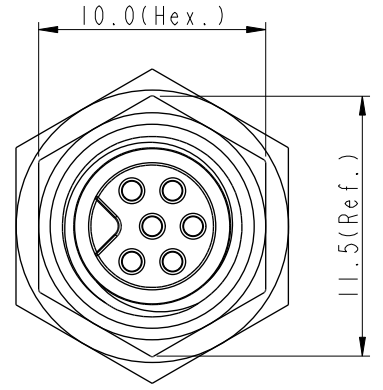
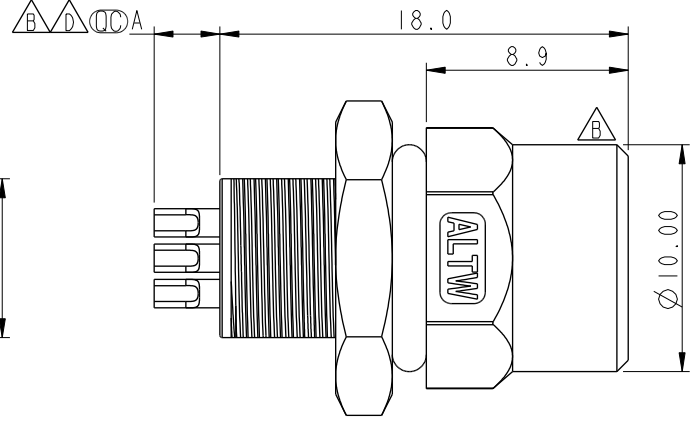
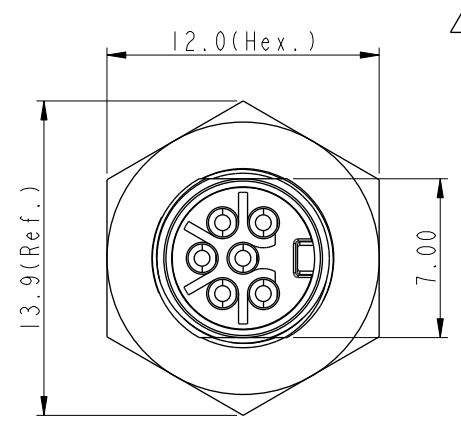
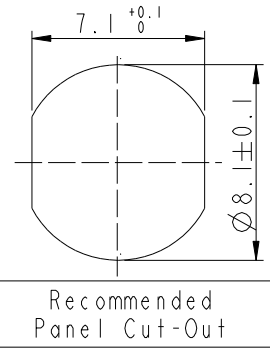


THIS DOCUMENT IS SUBJECT TO CHANGE WITHOUT NOTICE. IT IS CONFIDENTIAL AND A PROPERTY OF Amphenol LTW. DISCLOSURE TO THIRD PARTY HAS TO BE AUTHORIZED BY Amphenol LTW.

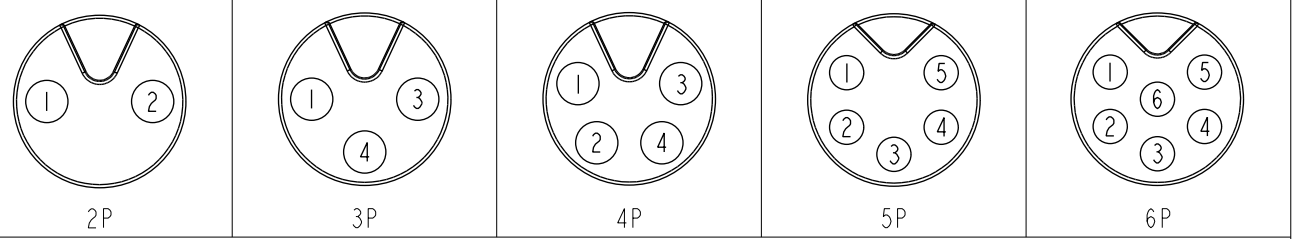
REV.	ECN NO.	DATE	SIGN	DESCRIPTION
C	C210686	2021/05/10	Vicky	X5
D	C220054	2022/01/11	Vicky	X2
E	C221871	2022/12/02	Vicky	X1



Item No.	A
8A-02PFFS-SH7001	3.0
8A-03PFFS-SH7001	3.0
8A-04PFFS-SH7001	3.0
8A-05PFFS-SH7001	2.9
8A-06PFFS-SH7001	2.9

△ 8A-XXPFFS-SH7001  
XX: No. Of Pin

- Note:
- \* RoHS Compliant
  - \* Ⓞ Important dimension
  - △ \* Waterproof rate: IP67, unmated Connector
  - Housing: Thermoplastic, Black
  - Pin: Copper alloy, Gold plated
  - O-Ring: Rubber, Green
  - \* Shield: Metal
  - \* Nut: Metal
  - \* O-Ring: Rubber, Black
  - \* For panel thickness max: 4.5mm
  - \* Nut is packed separately in pe bag



△ Pin Assignments Front View

UNIT: mm			TITLE O SEN, M8 W/KEY RECEPTACLE, F, F, SOLDER
TOLERANCE .X ±0.25 .XX ±0.1 .XXX ±0.05 ANGLES ±1°	SCALE 3:1	SIZE A4	SHEET 1 OF 1
REV. E	WC-REV. A.4	Ⓞ: Inspection item	

**Amphenol LTW**  
安費諾亮泰企業股份有限公司

ITEM NO. 8A-XXPFFS-SH7001	DRAWN BY Ethan	DATE 2018-05-07
DWG NO. CUSTOMER ALTW	CHECKED BY Feng-Li	DATE 2018-05-07
	APPROVED BY Jerry	DATE 2018-05-07