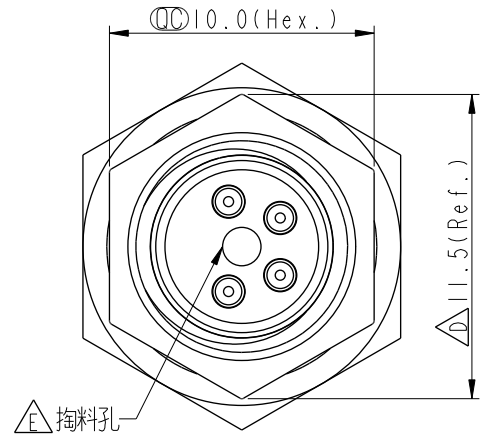
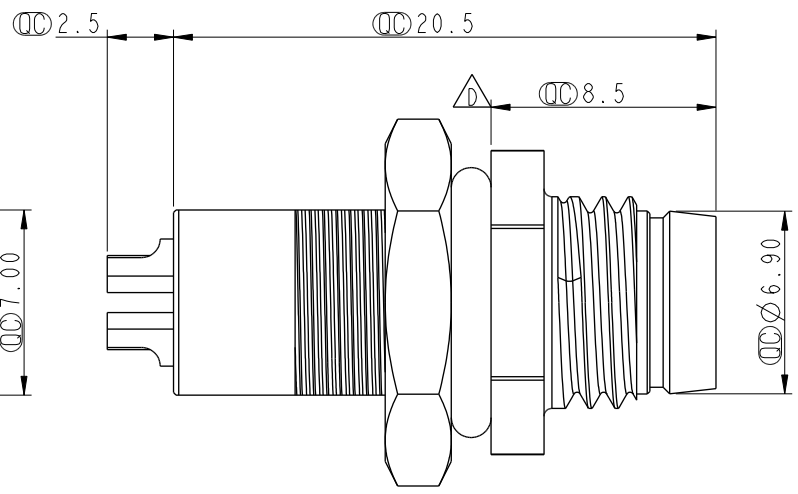
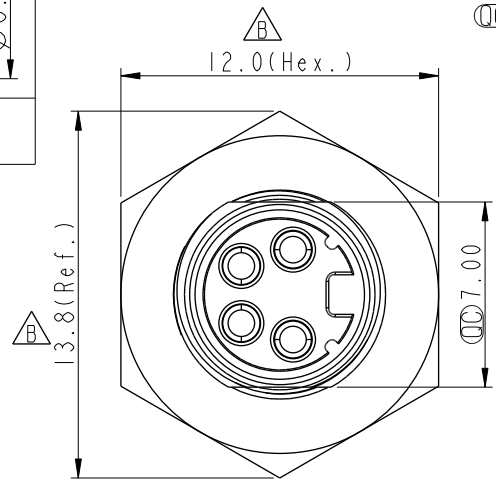
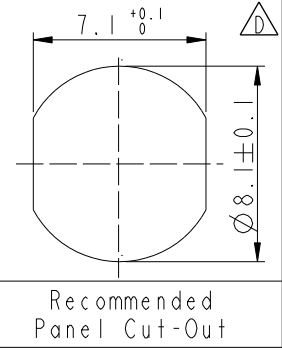
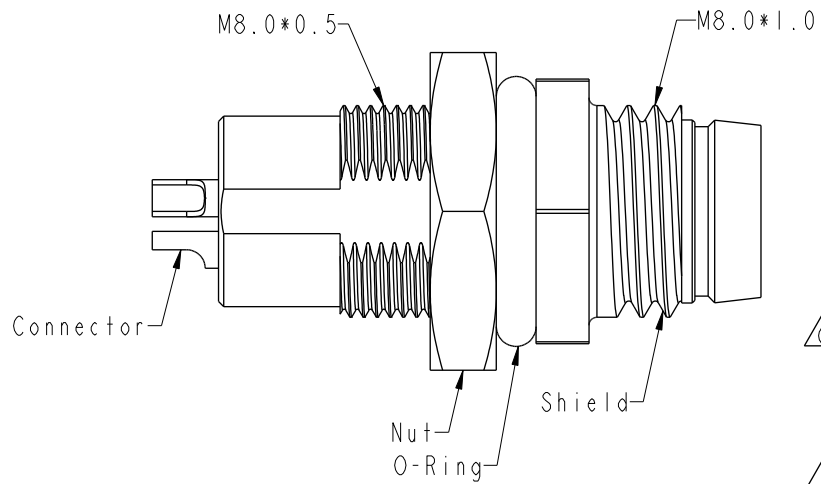


THIS DOCUMENT IS SUBJECT TO CHANGE WITHOUT NOTICE. IT IS CONFIDENTIAL AND A PROPERTY OF Amphenol LTW. DISCLOSURE TO THIRD PARTY HAS TO BE AUTHORIZED BY Amphenol LTW.

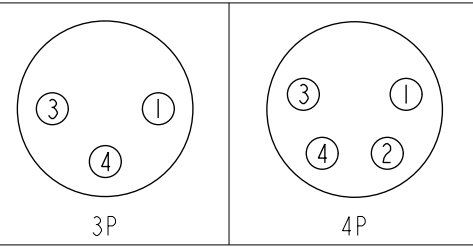
REV.	ECN NO.	DATE	SIGN	DESCRIPTION
E	LEN1460128	2014/06/24	Jinhai	Change Drawing
F	C210686	2021/05/11	Vicky	$\triangle F$ X5
G	C221882	2022/12/16	Vicky	$\triangle G$ XI



$\triangle F$  8-XXPMMS-SH7002  
 XX: No. Of Pin



- Note:
- \*  $\triangle E$   $\triangle F$  RoHS Compliant
  - \*  $\text{CC}$  Important dimension
  - \*  $\triangle G$  Waterproof rate: IP67, unmated Connector
  - \* Housing: Thermoplastic, Black
  - \* Pin: Copper alloy, Gold plated
  - \* Shield: Metal
  - \*  $\triangle D$  Nut: Metal
  - \* O-Ring: Rubber, Black
  - \* For panel thickness max: 4.5mm
  - \* Nut is packed separately in pe bag



$\triangle F$  Pin Assignments Front View

UNIT: mm		TITLE	O SEN, M8 RECEPTACLE, M, M, SOLDER		
TOLERANCE		SCALE	SIZE	SHEET	OF
.X ±0.25		7:2	A4	1	1
.XX ±0.1		REV.	WC-REV.	$\text{CC}$ : Inspection item	
.XXX ±0.05		G	A.3		
ANGLES ±1°					

**Amphenol LTW**  
 安費諾亮泰企業股份有限公司

ITEM NO	DRAWN BY	DATE
	Jinhai	2014-06-24
DWG NO	CHECKED BY	DATE
$\triangle F$ 8-XXPMMS-SH7002	Tom-Gu	2014-06-24
CUSTOMER	APPROVED BY	DATE
ALTW	Jerry	2014-06-24