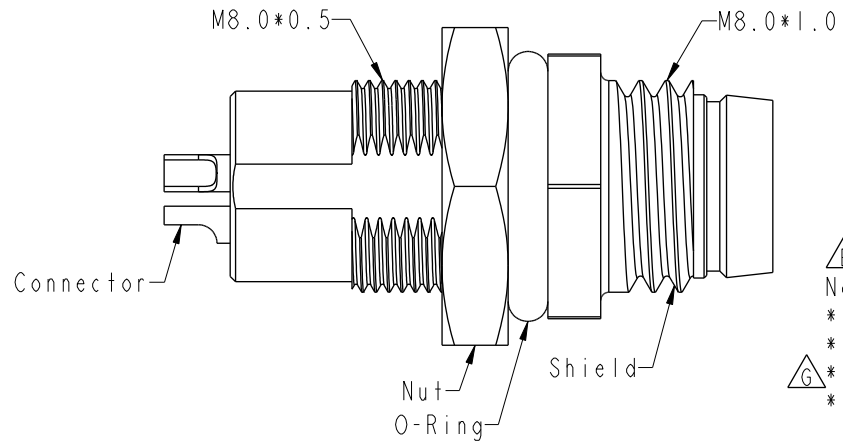
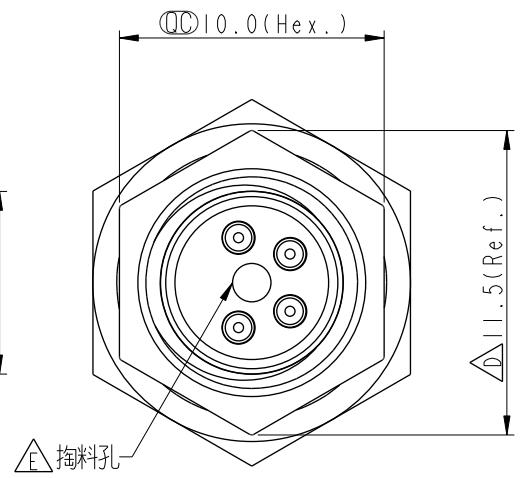
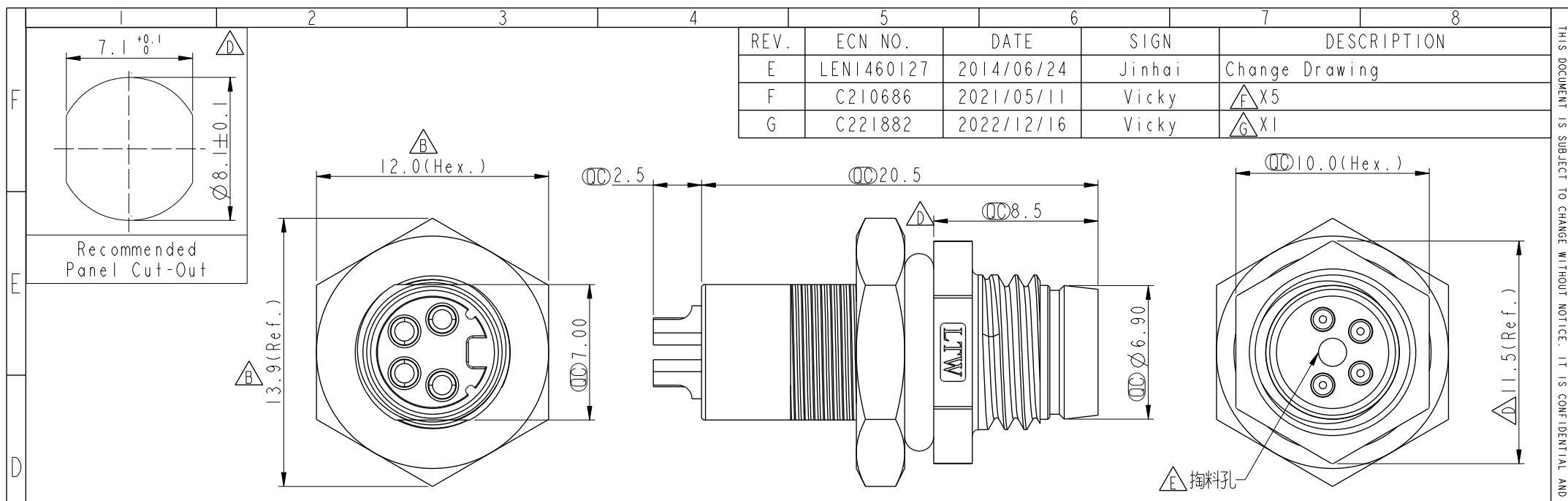
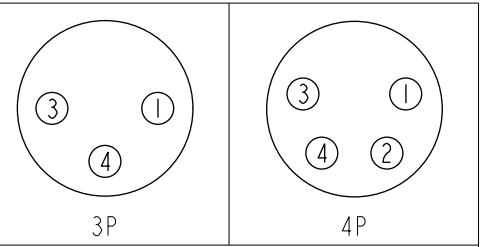


THIS DOCUMENT IS SUBJECT TO CHANGE WITHOUT NOTICE. IT IS CONFIDENTIAL AND A PROPERTY OF Amphenol LTW. DISCLOSURE TO THIRD PARTY HAS TO BE AUTHORIZED BY Amphenol LTW.

REV.	ECN NO.	DATE	SIGN	DESCRIPTION
E	LEN1460127	2014/06/24	Jinhai	Change Drawing
F	C210686	2021/05/11	Vicky	△F X5
G	C221882	2022/12/16	Vicky	△G XI



△F 8-XXPMS-SH7001
 XX: No. Of Pin



△F Pin Assignments Front View

- Note:
- * RoHS Compliant
 - * ⌀ Important dimension
 - △G * Waterproof rate: IP67, unmated
 - * Connector
 - Housing: Thermoplastic, Black
 - Pin: Copper alloy, Gold plated
 - * Shield: Metal
 - △D * Nut: Metal
 - * O-Ring: Rubber, Black
 - * For panel thickness max: 4.5mm
 - * Nut is packed separately in pe bag

UNIT: mm		TITLE	O SEN, M8 RECEPTACLE, M, M, SOLDER	
TOLERANCE		SCALE	SIZE	SHEET
.X ±0.25		7:2	A4	1 OF 1
.XX ±0.1		REV.	WC-REV.	
.XXX ±0.05		G	A.5	
ANGLES ±1°		⌀: Inspection item		

Amphenol LTW
 安費諾亮泰企業股份有限公司

ITEM NO	DRAWN BY	DATE
	Jinhai	2014-06-26
DWG NO	CHECKED BY	DATE
△F 8-XXPMS-SH7001	Tom-Gu	2014-06-24
CUSTOMER	APPROVED BY	DATE
ALTW	Jerry	2014-06-24