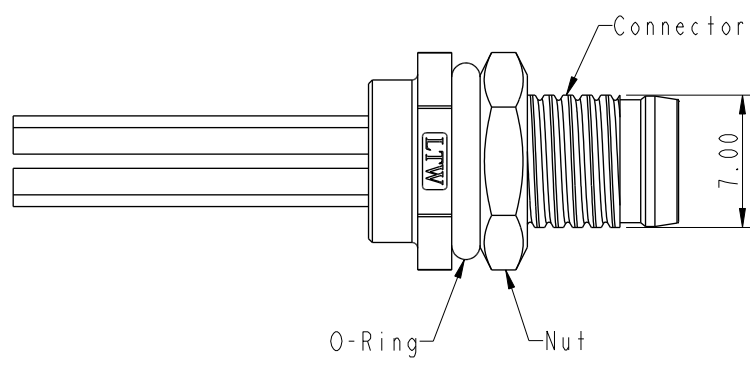
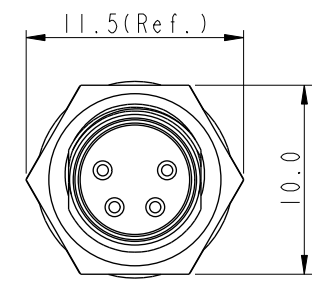
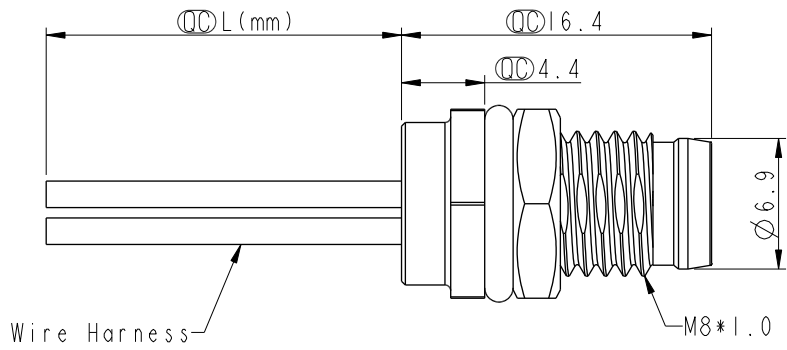
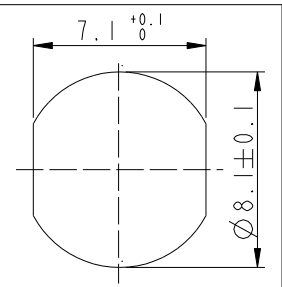


THIS DOCUMENT IS SUBJECT TO CHANGE WITHOUT NOTICE. IT IS CONFIDENTIAL AND A PROPERTY OF AMPHENOL LTW. DISCLOSURE TO THIRD PARTY HAS TO BE AUTHORIZED BY AMPHENOL LTW.

REV.	ECN NO.	DATE	SIGN	DESCRIPTION
E	C192160	2019/12/21	Peng	XI
F	C210686	2021/05/14	Vicky	X8
G	C221882	2022/12/16	Vicky	XI



- Note:
- * RoHS Compliant
 - * Important dimension
 - * Waterproof rate: IP67, unmounted
 - * Connector Housing: Thermoplastic, Black
Pin: Copper alloy, Gold plated
 - * Shield: Metal
 - * Nut: Metal
 - * O-Ring: Rubber, Black
 - * Wire harness: UL1007
 - * For panel thickness max: 4.5mm
 - * O-Ring and nut are assembled on connectors
 - * Wire harness tolerance: 100mm: ±10mm
100mm < L ≤ 300mm: ±15mm
300mm < L ≤ 1000mm: ±20mm
1000mm < L ≤ 1500mm: ±50mm



Recommended Panel Cut-Out

UNIT: mm			TITLE O SEN, M8 RECEPTACLE, M, M, SOLDER				ITEM NO	DRAWN BY	DATE
			SCALE 2:1	SIZE A4	SHEET 1 OF 2		DWG NO 8-XXPMMS-SF7AXX	CHECKED BY Rita	DATE 2019-09-18
TOLERANCE .X ±0.25 .XX ±0.1 .XXX ±0.05 ANGLES ±1°			REV. G	WC-REV. B.2	: Inspection item	CUSTOMER ALTW	APPROVED BY Max	DATE 2019-09-18	

Amphenol LTW
安費諾亮泰企業股份有限公司

THIS DOCUMENT IS SUBJECT TO CHANGE WITHOUT NOTICE. IT IS CONFIDENTIAL AND A PROPERTY OF Amphenol LTW. DISCLOSURE TO THIRD PARTY HAS TO BE AUTHORIZED BY Amphenol LTW.

	7	8
	4P	8-04PMMS-SF7AXX
	3P	8-03PMMS-SF7AXX
	Contacts	AWG
		Item No.



XX: No. Of Pin

- 10:100mm
- 15:150mm
- 20:200mm
- ∫
- 95:950mm
- Cable Pitch Unit=50mm
- A0:1000mm
- ∫
- A5:1500mm
- Cable Pitch Unit=100mm
- Wire Length (L):150~1500 mm

F
E
D
C
B
A

Pin Out	4	Black	黑	4	Black	黑
	3	Blue	藍	3	Blue	藍
	1	Brown	棕	2	White	白
				1	Brown	棕
	Pin #	Wire		Pin #	Wire	
Conn.	<p>3P</p>			<p>4P</p>		
	Pin Assignments Front View					

UNIT:mm			TITLE	
TOLERANCE	.X ±0.25	.XX ±0.1	.XXX ±0.05	ANGLES ±1°
SCALE	2:1	SIZE	A4	SHEET 2 OF 2
REV.	G	WC-REV.	B.2	

Amphenol LTW
安費諾亮泰企業股份有限公司

ITEM NO	DRAWN BY	DATE
	Ruru	2019-09-18
DWG NO	CHECKED BY	DATE
8-XXPMMS-SF7AXX	Rita	2019-09-18
CUSTOMER	APPROVED BY	DATE
ALTW	Max	2019-09-18