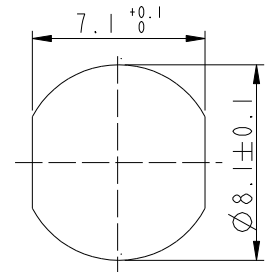
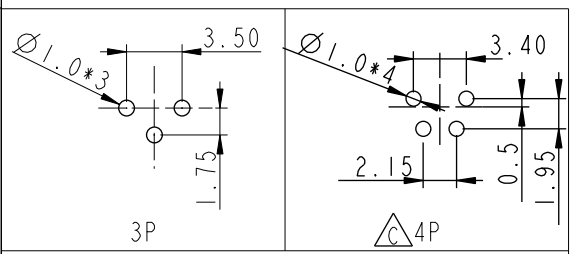
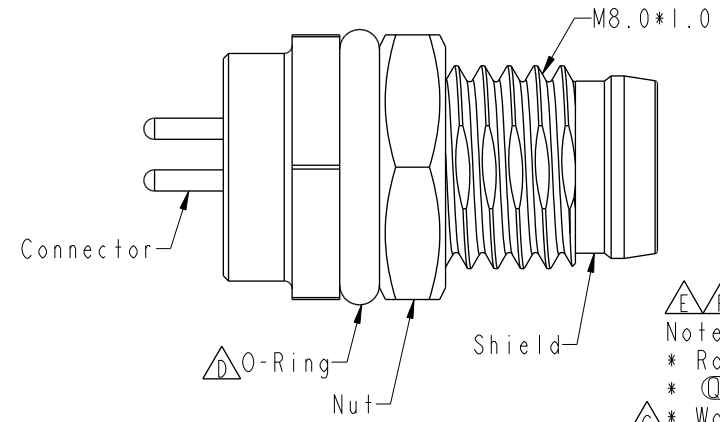
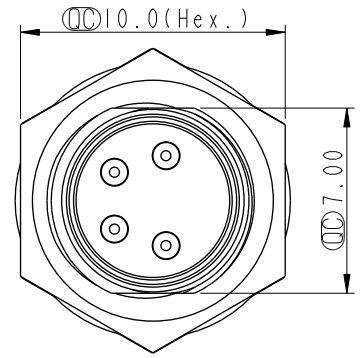
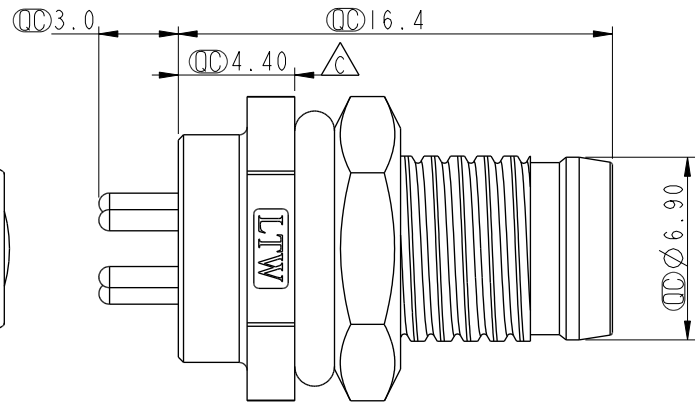
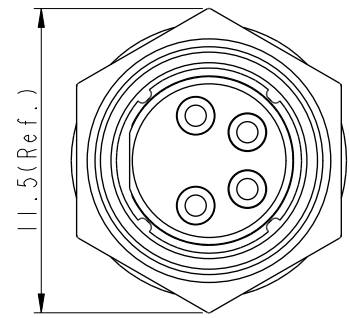


THIS DOCUMENT IS SUBJECT TO CHANGE WITHOUT NOTICE. IT IS CONFIDENTIAL AND A PROPERTY OF Amphenol LTW. DISCLOSURE TO THIRD PARTY HAS TO BE AUTHORIZED BY Amphenol LTW.

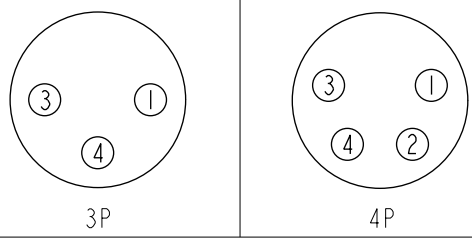
REV.	ECN NO.	DATE	SIGN	DESCRIPTION
E	C192160	2019/12/21	Peng	△E XI
F	C210686	2021/05/11	Vicky	△F X5
G	C221882	2022/12/16	Vicky	△G XI



Recommended Panel Cut-Out



PCB Layout



Pin Assignments Front View

8-XXPMMP-SF7001  
 △F  
 XX: No. Of Pin

- Note:
- \* RoHS Compliant
  - \* ⌀ Important dimension
  - △\* Waterproof rate: IP67, unmated
  - \* Connector
  - Housing: Thermoplastic, Black
  - Pin: Copper alloy, Gold plated
  - \* Shield: Metal
  - △\* Nut: Metal
  - \* O-Ring: Rubber, Black
  - △\* For panel thickness(screw type)max: 1.9mm
  - \* For panel thickness(snap-in type)max: 3.0mm
  - \* Nut is packed separately in pe bag

UNIT:mm		TITLE	O SEN, M8 RECEPTACLE, M, M, PCB S		
TOLERANCE	.X ±0.25	SCALE	7:2	SIZE	A4
.XX ±0.1	.XXX ±0.05	REV.	G	WC-REV.	B.2
ANGLES	±1°	SHEET 1 OF 1			
⌀: Inspection item					

**Amphenol LTW**  
 安費諾亮泰企業股份有限公司

ITEM NO	DRAWN BY	DATE
	Galaxy	2013-01-29
DWG NO	CHECKED BY	DATE
△F 8-XXPMMP-SF7001	Aric	2013-01-29
CUSTOMER	APPROVED BY	DATE
ALTW	Maslow	2013-01-29