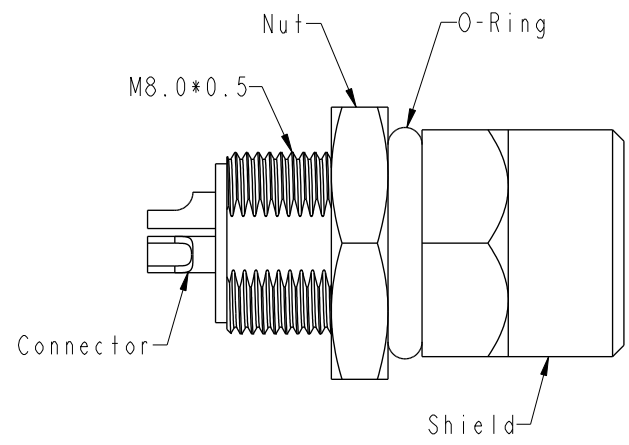
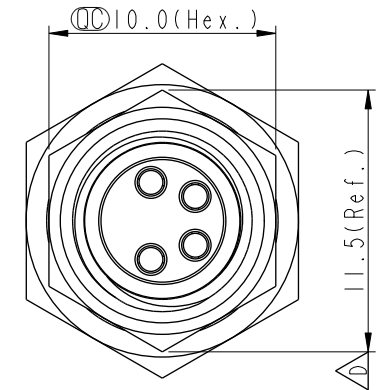
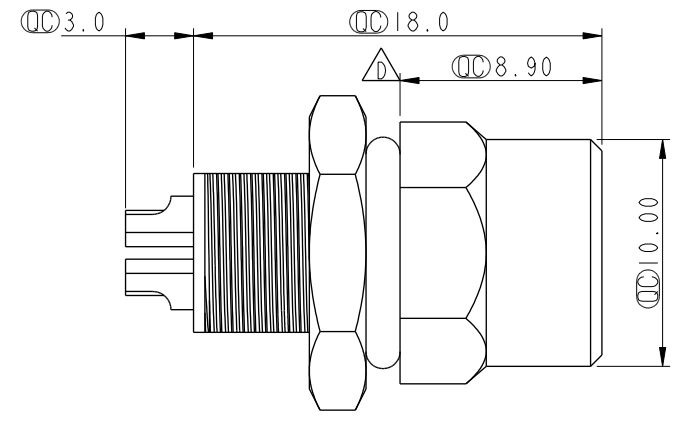
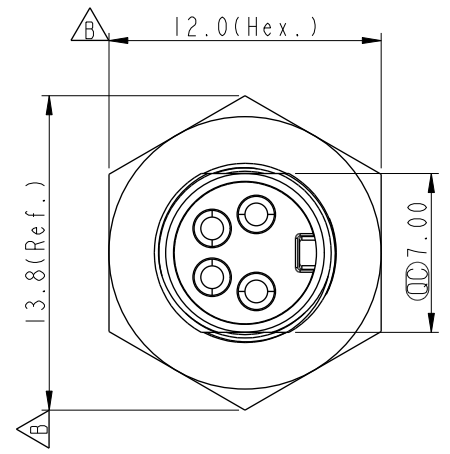
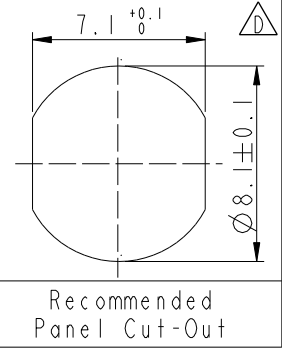


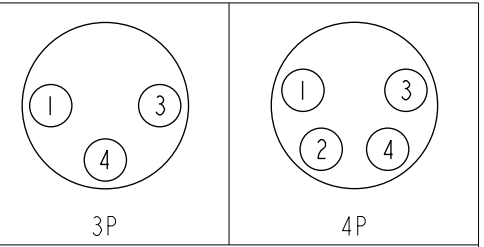
THIS DOCUMENT IS SUBJECT TO CHANGE WITHOUT NOTICE. IT IS CONFIDENTIAL AND A PROPERTY OF Amphenol LTW. DISCLOSURE TO THIRD PARTY HAS TO BE AUTHORIZED BY Amphenol LTW.

REV.	ECN NO.	DATE	SIGN	DESCRIPTION
D	LEN-910185	2009/01/07	Ivan Lin	Change rev. to ECN note
E	C210686	2021/05/11	Vicky	△E X5
F	C221882	2022/12/16	Vicky	△E XI



- △E Note:
- * RoHS Compliant
 - * ∅ Important dimension
 - △F * Waterproof rate: IP67, unmated
 - * Connector
 - Housing: Thermoplastic, Black
 - Pin: Copper alloy, Gold plated
 - △D * O-Ring: Rubber, Green
 - * Shield: Metal
 - △D * Nut: Metal
 - * O-Ring: Rubber, Black
 - * For panel thickness max: 4.5mm
 - * Nut is packed separately in pe bag

△E 8-XXPFFS-SH7002
XX: No. Of Pin



△E Pin Assignments Front View

UNIT: mm			TITLE O SEN, M8 RECEPTACLE, F, F, SOLDER
TOLERANCE .X ±0.25 .XX ±0.1 .XXX ±0.05 ANGLES ±1°	SCALE 3:1	SIZE A4	SHEET 1 OF 1
REV. F	WC-REV. A.3	∅: Inspection item	

Amphenol LTW
安費諾亮泰企業股份有限公司

ITEM NO	DRAWN BY Ivan Lin	DATE 2009-01-07
DWG NO △E 8-XXPFFS-SH7002	CHECKED BY Tommy Hom	DATE 2009-01-07
CUSTOMER ALTW	APPROVED BY Luke Chang	DATE 2009-01-07