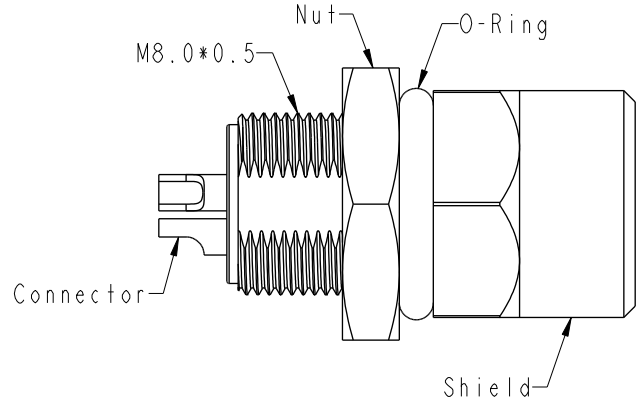
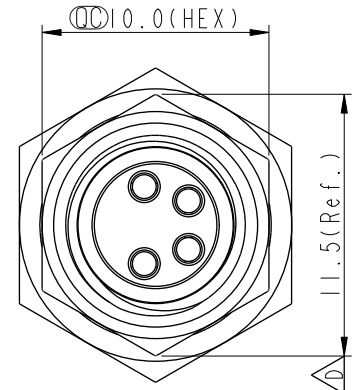
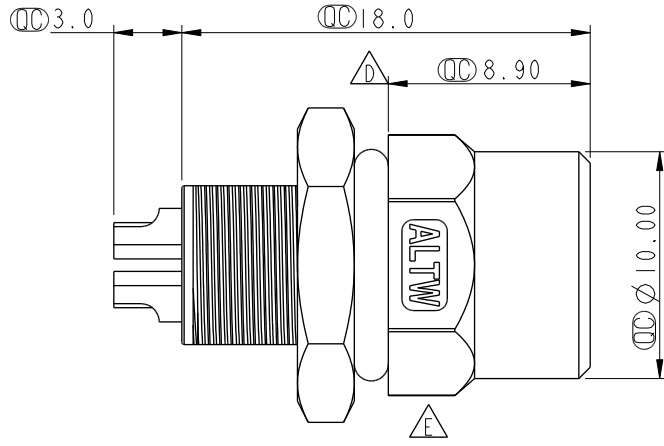
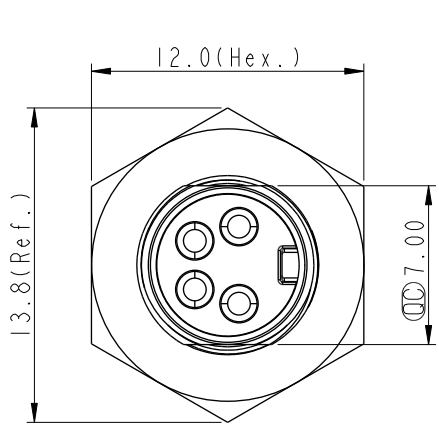
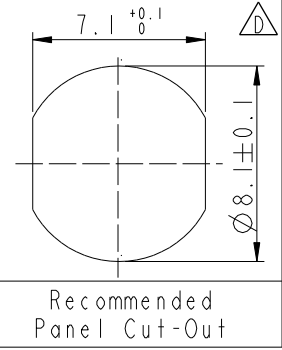
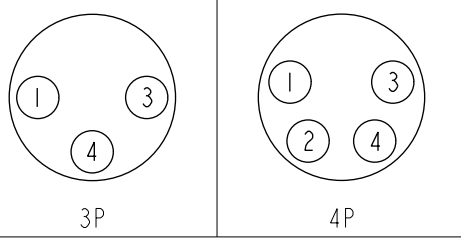


THIS DOCUMENT IS SUBJECT TO CHANGE WITHOUT NOTICE. IT IS CONFIDENTIAL AND A PROPERTY OF AMPHENOL LTW. DISCLOSURE TO THIRD PARTY HAS TO BE AUTHORIZED BY AMPHENOL LTW.

REV.	ECN NO.	DATE	SIGN	DESCRIPTION
E	C191918	2019/11/04	JC Chen	△ XI
F	C210686	2021/05/11	Vicky	△ XI
G	C221882	2022/12/16	Vicky	△ XI



△ XI 8-XXPFFS-SH7001
 XX: No. Of Pin



- △ XI Note:
- * RoHS Compliant
 - * ∅ Important dimension
 - △ XI * Waterproof rate: IP67, unmated
 - * Connector
 - Housing: Thermoplastic, Black
 - Pin: Copper alloy, Gold plated
 - △ XI * O-Ring: Rubber, Green
 - * Shield: Metal
 - △ XI * Nut: Metal
 - * O-Ring: Rubber, Black
 - * For panel thickness max: 4.5mm
 - * Nut is packed separately in pe bag

UNIT:mm		TITLE	O SEN, M8 RECEPTACLE, F, F, SOLDER	
TOLERANCE	.X ±0.25	SCALE	3:1	SHEET 1 OF 1
.XX ±0.1	.XXX ±0.05	REV.	G	WC-REV. A.3
ANGLES ±1°				∅: Inspection item

Amphenol LTW
 安費諾亮泰企業股份有限公司

ITEM NO	8-XXPFFS-SH7001	DRAWN BY	Ivan Lin	DATE	2009-01-07
DWG NO	8-XXPFFS-SH7001	CHECKED BY	Tommy Hom	DATE	2009-01-07
CUSTOMER	ALTW	APPROVED BY	Luke Chang	DATE	2009-01-07