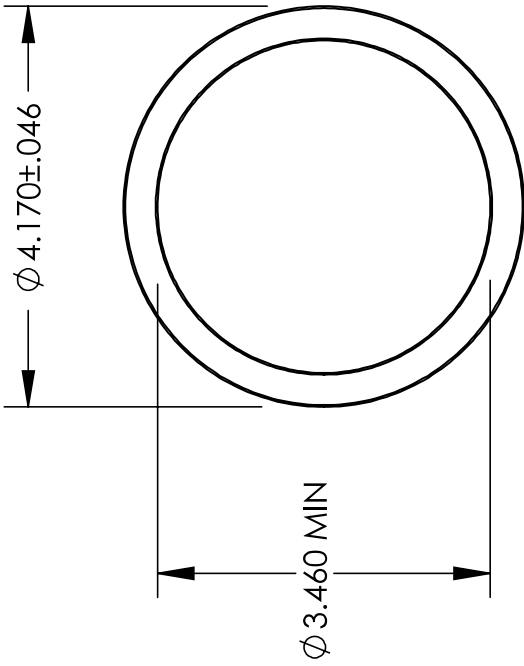
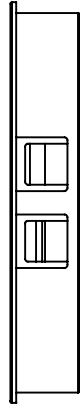
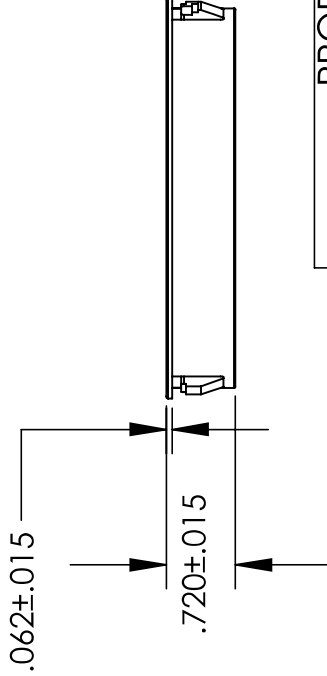


# UNCONTROLLED DOCUMENT



NOTES:  
HOLE SIZE 4.000  
MAXIMUM PANEL THICKNESS .250



WE RESERVE THE RIGHT  
TO DISCONTINUE ITEMS,  
CHANGE SPECIFICATIONS  
OR DESIGN AT ANY TIME  
WITHOUT NOTICE AND  
WITHOUT INCURRING  
ANY OBLIGATIONS

## TOLERANCES UNLESS NOTED

- ±.005 ON DIMENSIONS THRU .625
- ±.008 ON DIMENSIONS .626 THRU 1.000
- ±.010 ON DIMENSIONS 1.001 THRU 1.500
- ±.015 ON DIMENSIONS LARGER THAN 1.500
- ±.015 ON FRACTIONAL DIMENSIONS

PROPERTY OF

**MICRO PLASTICS INC.**

CATALOG DRAWING  
STANDARD INSULATING BUSHING  
MICRO P/N 22MP40055  
DWG. # 22MP40055  
FILE SERVER\ENG\WEB

MATERIAL: HEAT STABILIZED NYLON; BLACK

DATE

SCALE

1:2

TA