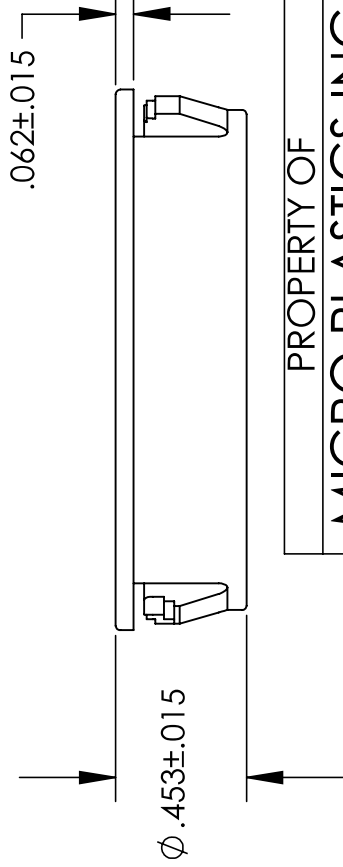
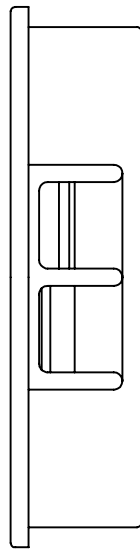
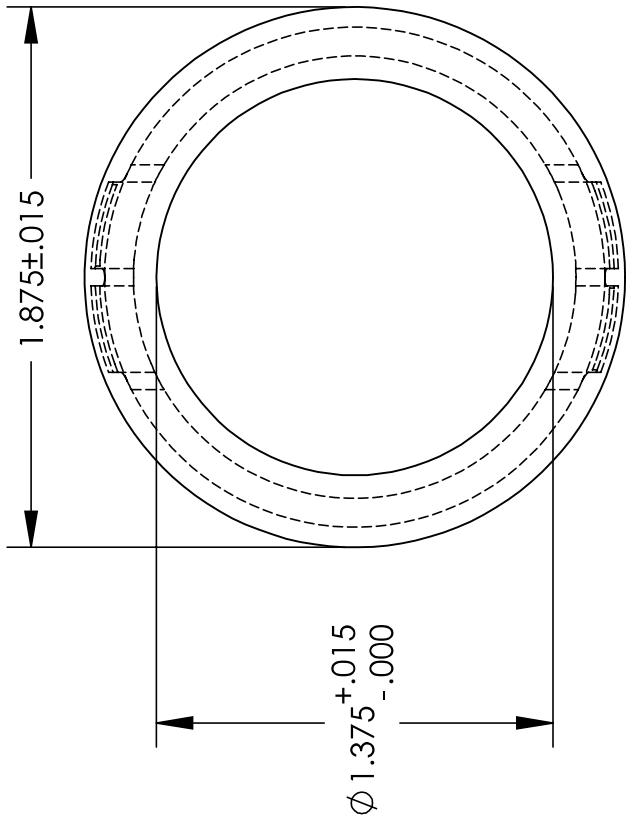


**UNCONTROLLED DOCUMENT**

NOTES:  
HOLE SIZE: 1.750  
MAXIMUM PANEL THICKNESS: .125  
MATERIAL: HEAT STABILIZED NYLON 6; BLACK



**WE RESERVE THE RIGHT  
TO DISCONTINUE ITEMS,  
CHANGE SPECIFICATIONS  
OR DESIGN AT ANY TIME  
WITHOUT NOTICE AND  
WITHOUT INCURRING  
ANY OBLIGATIONS**

**TOLERANCES UNLESS NOTED**  
+.005 ON DIMENSIONS THRU .625  
+.008 ON DIMENSIONS .626 THRU 1.000  
+.010 ON DIMENSIONS 1.001 THRU 1.500  
+.015 ON DIMENSIONS LARGER THAN 1.500  
+.015 ON FRACTIONAL DIMENSIONS

PROPERTY OF  
**MICRO PLASTICS INC.**

CATALOG DRAWING  
STANDARD INSULATING BUSHING  
MICRO P/N 22MP17522  
DWG. # 22MP17522  
FILE SERVER\ENG\WEB

MATERIAL: AS NOTED

DATE: SCALE 1.5:1

**JDD**