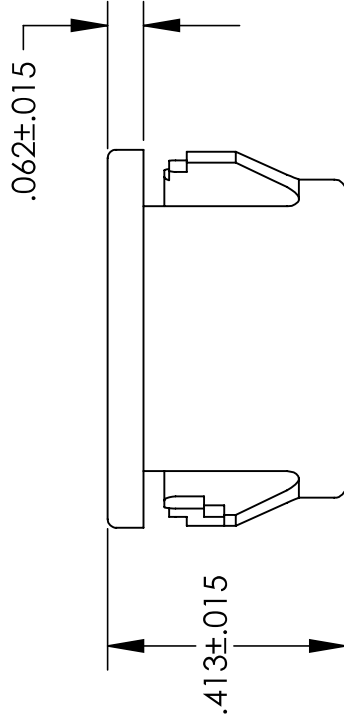
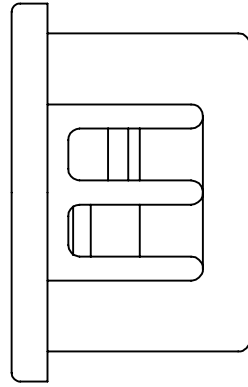
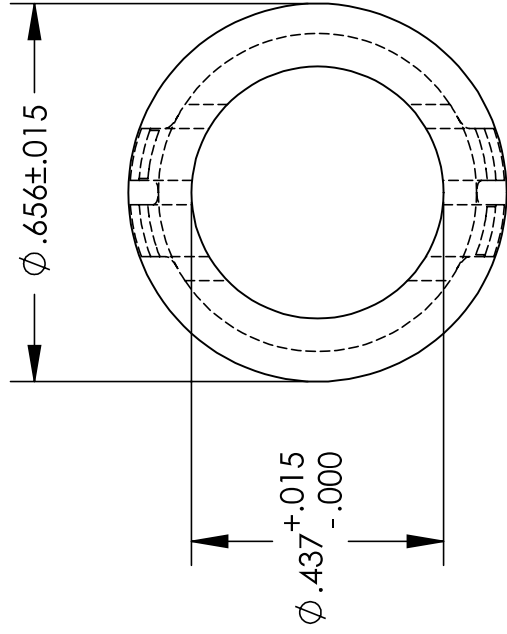


UNCONTROLLED DOCUMENT

NOTES:
HOLE SIZE: .562
MAXIMUM PANEL THICKNESS: .125
MATERIAL: HEAT STABILIZED NYLON 6; BLACK



**WE RESERVE THE RIGHT
TO DISCONTINUE ITEMS,
CHANGE SPECIFICATIONS
OR DESIGN AT ANY TIME
WITHOUT NOTICE AND
WITHOUT INCURRING
ANY OBLIGATIONS**

TOLERANCES UNLESS NOTED
+.005 ON DIMENSIONS THRU .625
+.008 ON DIMENSIONS .626 THRU 1.000
+.010 ON DIMENSIONS 1.001 THRU 1.500
+.015 ON DIMENSIONS LARGER THAN 1.500
+.015 ON FRACTIONAL DIMENSIONS

PROPERTY OF

MICRO PLASTICS INC.

CATALOG DRAWING
STANDARD INSULATING BUSHING
MICRO P/N 22MP05627
DWG. # 22MP05627
FILE SERVER\ENG\WEB

MATERIAL: AS NOTED

DATE

SCALE

3:1

JDD