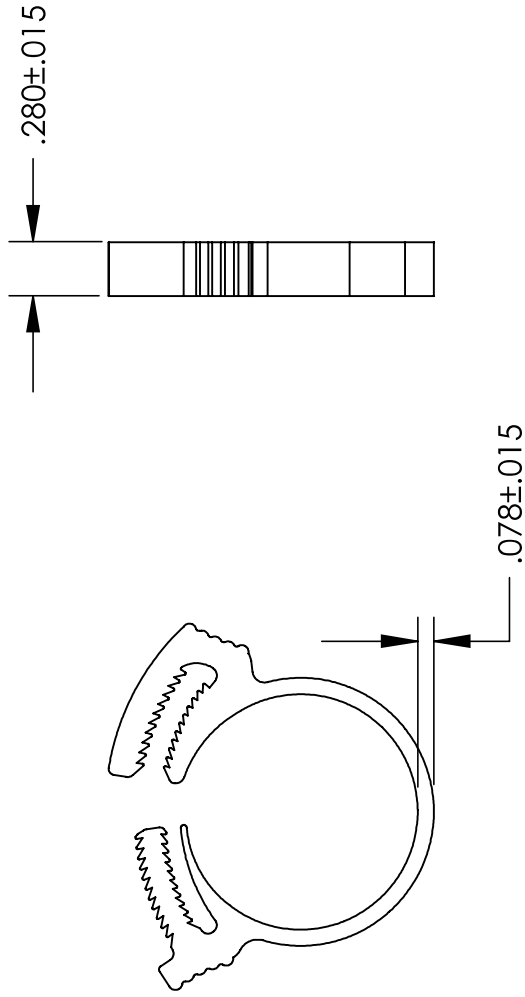


# UNCONTROLLED DOCUMENT

NOTES:  
CLAMPING RANGE .965 / 1.087



WE RESERVE THE RIGHT  
TO DISCONTINUE ITEMS,  
CHANGE SPECIFICATIONS  
OR DESIGN AT ANY TIME  
WITHOUT NOTICE AND  
WITHOUT INCURRING  
ANY OBLIGATIONS

TOLERANCES UNLESS NOTED  
+.005 ON DIMENSIONS THRU .625  
+.008 ON DIMENSIONS .626 THRU 1.000  
+.010 ON DIMENSIONS 1.001 THRU 1.500  
+.015 ON DIMENSIONS LARGER THAN 1.500  
+.015 ON FRACTIONAL DIMENSIONS

PROPERTY OF

**MICRO PLASTICS INC.**

CATALOG DRAWING  
1" DOUBLE GRIP HOSE CLAMP  
MICRO P/N 22DGHCC00L  
DWG. # 22DGHCC00L  
FILE SERVER\ENG\WEB

MATERIAL: NYLON 6/6; MOLD BLACK

DATE

SCALE

1:1

**TA**