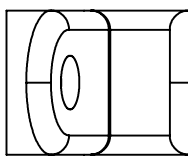
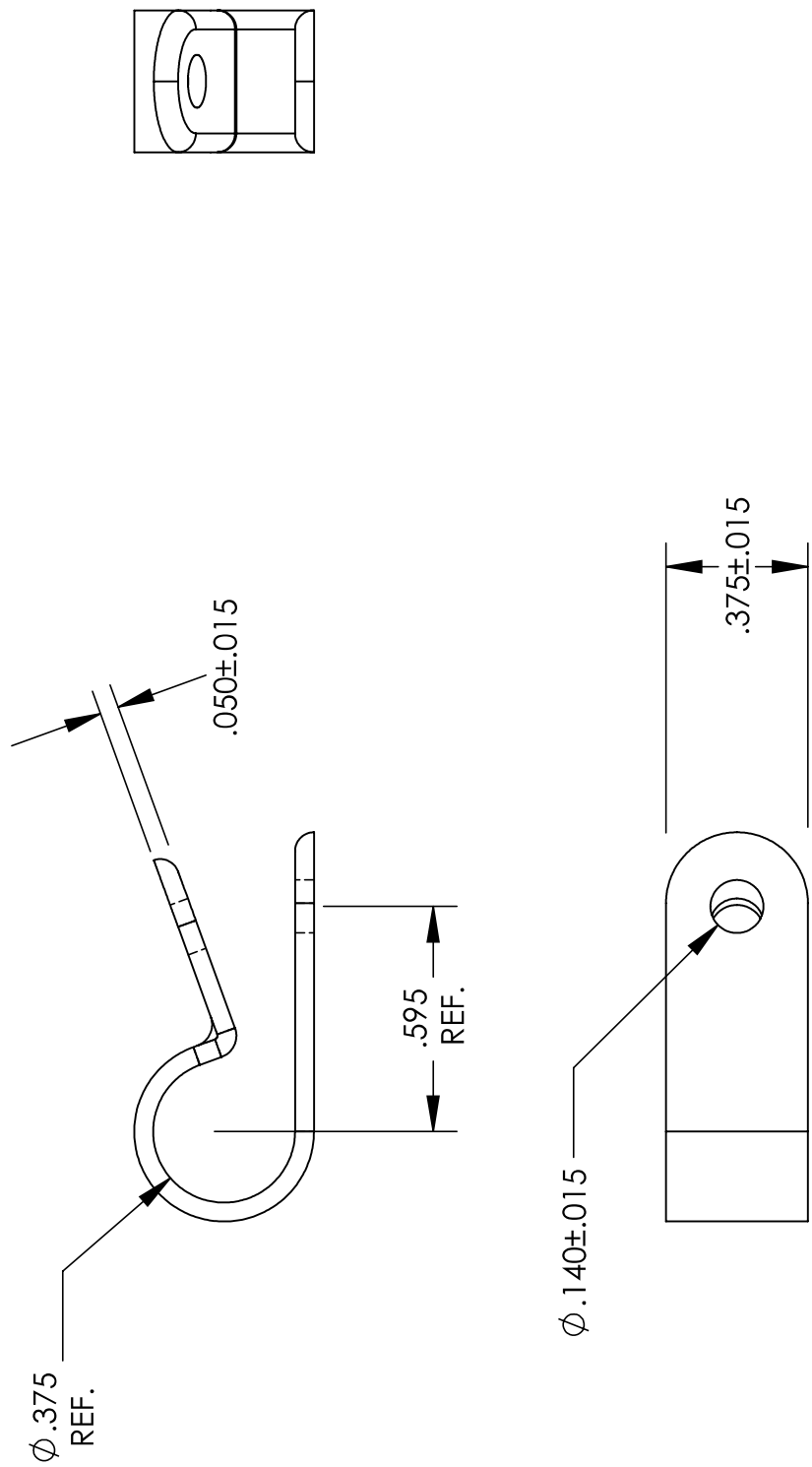


UNCONTROLLED DOCUMENT



WE RESERVE THE RIGHT
TO DISCONTINUE ITEMS,
CHANGE SPECIFICATIONS
OR DESIGN AT ANY TIME
WITHOUT NOTICE AND
WITHOUT INCURRING
ANY OBLIGATIONS

TOLERANCES UNLESS NOTED
+.005 ON DIMENSIONS THRU .625
+.008 ON DIMENSIONS .626 THRU 1.000
+.010 ON DIMENSIONS 1.001 THRU 1.500
+.015 ON DIMENSIONS LARGER THAN 1.500
+.015 ON FRACTIONAL DIMENSIONS

PROPERTY OF	
MICRO PLASTICS INC.	
CATALOG DRAWING STANDARD CABLE CLAMP MICRO P/N 22CC37B0375 DWG. # 22CC37B0375 FILE SERVER\ENG\WEB	
MATERIAL:	6/6 NYLON
DATE	SCALE
	2:1
	DSB