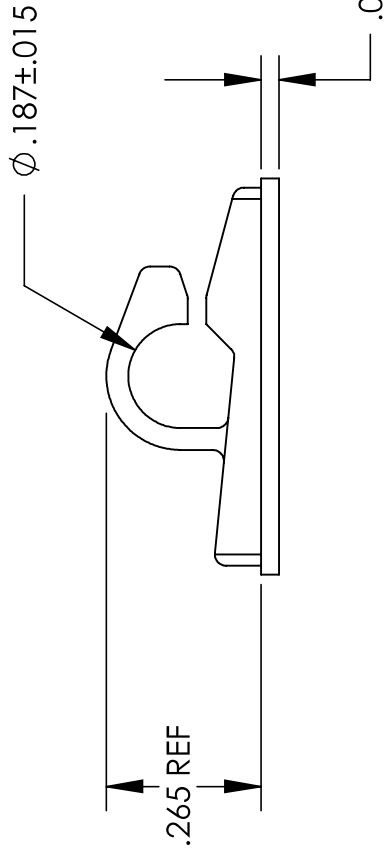
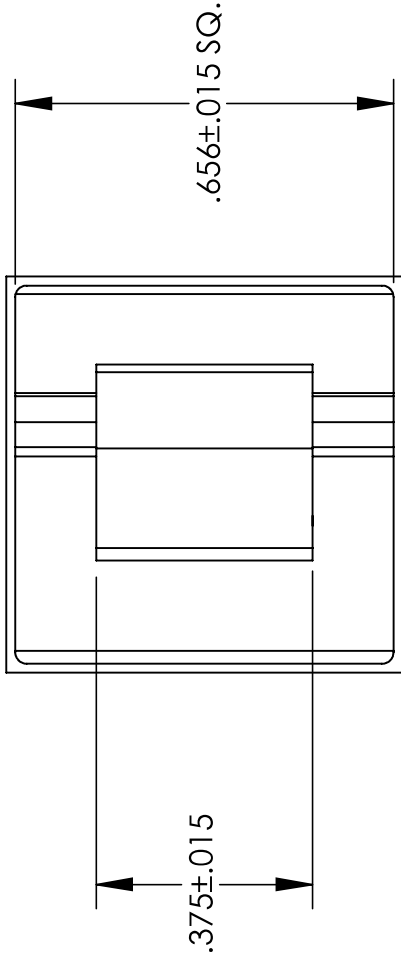


UNCONTROLLED DOCUMENT



.031±.015 ADHESIVE TAPE

TOLERANCES UNLESS NOTED

- + .005 ON DIMENSIONS THRU .625
- + .008 ON DIMENSIONS .626 THRU 1.000
- + .010 ON DIMENSIONS 1.001 THRU 1.500
- + .015 ON DIMENSIONS LARGER THAN 1.500
- + .015 ON FRACTIONAL DIMENSIONS

**WE RESERVE THE RIGHT
TO DISCONTINUE ITEMS,
CHANGE SPECIFICATIONS
OR DESIGN AT ANY TIME
WITHOUT NOTICE AND
WITHOUT INCURRING
ANY OBLIGATIONS**

PROPERTY OF

MICRO PLASTICS INC.

CATALOG DRAWING
ADHESIVE BACKED WIRE CLIP
MICRO P/N 22AWC00187
DWG. # 22AWC00187
FILE SERVER\ENG\WEB

MATERIAL: 6/6 NYLON

DATE

SCALE

3:1

DSB