

OMNIMATE Power - series PGK PGK 4 BT BK

Weidmüller Interface GmbH & Co. KG
Klingenbergstraße 16
D-32758 Detmold
Germany
Fon: +49 5231 14-0
Fax: +49 5231 14-292083
www.weidmueller.com

Product image



The PGK 4 device feed-through terminal is the fastest and most compact solution for feed-throughs in housings.

The innovative PUSH IN connection system from Weidmüller makes for a simple, tool-free wire connection on the inside and outside of devices. The sliced design and an intuitive fastening mechanism enable high-density blocks to be constructed quickly and easily.

General ordering data

Type	PGK 4 BT BK
Order No.	1288590000
Version	OMNIMATE Power - series PGK, Feed-through terminal, Rated cross-section: 4 mm ² , Wemid (PA), Direct mounting, Feed-through (bushing)
GTIN (EAN)	4050118079845
Qty.	100 pc(s).
Product data	IEC: 500 V / 32 A / 0.5 - 4 mm ² UL: 300 V / 30 A / AWG 24 - AWG 10
Packaging	Box

**OMNIMATE Power - series PGK
PGK 4 BT BK**

Weidmüller Interface GmbH & Co. KG
 Klingenbergstraße 16
 D-32758 Detmold
 Germany
 Fon: +49 5231 14-0
 Fax: +49 5231 14-292083
 www.weidmueller.com

Technical data**Dimensions and weights**

Net weight	6.272 g
------------	---------

System parameters

Product family	OMNIMATE Power - series PGK	Wire connection method	PUSH IN
Conductor outlet direction	180°	No. of poles	1
Fitted by customer	Yes	Screwdriver blade	0.4 x 2.5
Stripping length	12 mm	Touch-safe protection acc. to DIN VDE 0470	IP 20

Material data

Insulating material	Wemid (PA)	Colour code	black
Colour chart (similar)	RAL 9011	UL 94 flammability rating	V-0
Contact material	E-Cu	Contact surface	tinned
Storage temperature, min.	-25 °C	Storage temperature, max.	55 °C
Max. relative humidity during storage	80 %	Operating temperature, min.	-50 °C
Operating temperature, max.	120 °C	Temperature range, installation, min.	-25 °C
Temperature range, installation, max.	120 °C		

Conductors suitable for connection

Clamping range, min.	0.5 mm ²
Clamping range, max.	4 mm ²
Wire connection cross section AWG, min.	AWG 24
Wire connection cross section AWG, max.	AWG 10
Solid, min. H05(07) V-U	0.5 mm ²
Solid, max. H05(07) V-U	4 mm ²
Flexible, min. H05(07) V-K	0.5 mm ²
Flexible, max. H05(07) V-K	4 mm ²
w. plastic collar ferrule, DIN 46228 pt 4, 0.5 mm ² min.	
w. plastic collar ferrule, DIN 46228 pt 4, 2.5 mm ² max.	
w. wire end ferrule, DIN 46228 pt 1, min 0.5 mm ²	
w. wire end ferrule, DIN 46228 pt 1, 4 mm ² max.	

**OMNIMATE Power - series PGK
PGK 4 BT BK**

Weidmüller Interface GmbH & Co. KG
Klingenbergstraße 16
D-32758 Detmold
Germany
Fon: +49 5231 14-0
Fax: +49 5231 14-292083
www.weidmueller.com

Technical data

Clampable conductor	Cross-section for conductor connection	Type	fine-wired
		nominal	0.5 mm ²
AEH		Stripping length	nominal 14 mm
Cross-section for conductor connection	AEH	Type	fine-wired
		nominal	1 mm ²
AEH		Stripping length	nominal 15 mm
Cross-section for conductor connection	AEH	Type	fine-wired
		nominal	1.5 mm ²
AEH		Stripping length	nominal 15 mm
Cross-section for conductor connection	AEH	Stripping length	nominal 12 mm
		Type	fine-wired
AEH		nominal	0.75 mm ²
Cross-section for conductor connection	AEH	Stripping length	nominal 14 mm
		Type	fine-wired
AEH		nominal	2.5 mm ²
Cross-section for conductor connection	AEH	Stripping length	nominal 14 mm
		Stripping length	nominal 12 mm
Cross-section for conductor connection	AEH	Type	fine-wired
		nominal	4 mm ²
AEH		Stripping length	nominal 12 mm
Max. clamping range	4 mm ²		

Rated data acc. to IEC

tested acc. to standard	IEC 60664-1, IEC 61984	Rated current, min. no. of poles (Tu=20°C)	32 A
Rated current, max. no. of poles (Tu=20°C)	32 A	Rated voltage for surge voltage class / pollution degree III/3	500 V
Rated impulse voltage for surge voltage class/ contamination degree III/3	6 kV		

Rated data acc. to CSA

Institute (CSA)		Certificate No. (CSA)	200039-70000589
Rated voltage (Use group B / CSA)	300 V	Rated voltage (Use group C / CSA)	150 V
Rated voltage (Use group D / CSA)	300 V	Rated current (Use group B / CSA)	30 A
Rated current (Use group C / CSA)	30 A	Rated current (Use group D / CSA)	30 A
Wire cross-section, AWG, min.	AWG 24	Wire cross-section, AWG, max.	AWG 10
Reference to approval values	Specifications are maximum values, details - see approval certificate.		

Rated data acc. to UL 1059

Institute (cURus)		Certificate No. (cURus)	E60693
Rated voltage (Use group B / UL 1059)	300 V	Rated voltage (Use group C / UL 1059)	150 V
Rated voltage (Use group D / UL 1059)	300 V	Rated current (Use group B / UL 1059)	30 A
Rated current (Use group C / UL 1059)	30 A	Rated current (Use group D / UL 1059)	30 A
Wire cross-section, AWG, min.	AWG 24	Wire cross-section, AWG, max.	AWG 10
Reference to approval values	Specifications are maximum values, details - see approval certificate.		

**OMNIMATE Power - series PGK
PGK 4 BT BK**

Weidmüller Interface GmbH & Co. KG
Klingenbergstraße 16
D-32758 Detmold
Germany
Fon: +49 5231 14-0
Fax: +49 5231 14-292083
www.weidmueller.com

Technical data
Packing

Packaging	Box	VPE length	90 mm
VPE width	110 mm	VPE height	180 mm

Classifications

ETIM 5.0	EC001283	ETIM 6.0	EC001283
eClass 6.2	27-14-11-34	eClass 7.1	27-14-11-34
eClass 8.1	27-14-11-34	eClass 9.0	27-14-11-34
eClass 9.1	27-14-11-34		

Notes

- Notes
- Packing unit incl. 30 locking elements (VREL PGK 4 OR – 1288610000)
 - End plate required
 - Clearance and creepage distances to other components must be devised in accordance with the relevant application standard. This can be achieved in the device by full encapsulation or by the use of additional spacer plates.
 - Rated data refer only to the component itself. Clearance and creepage distances to other components are to be designed in accordance with the relevant application standards.
 - Colours: SW = black; GN/YL = green/yellow; GY = grey
 - Additional colours on request

Approvals

Approvals



ROHS

Conform

Downloads

Approval/Certificate/Document of Conformity	Declaration of the Manufacturer
Brochure/Catalogue	FL DRIVES EN MB DEVICE MANUF. EN FL DRIVES DE CAT 2 PORTFOLIOGUIDE EN FL_BASE_STATION_EN FL ELEVATOR EN FL POWER SUPPLY EN FL 72H SAMPLE SER EN PO OMNIMATE EN
Engineering Data	EPLAN.WSCAD

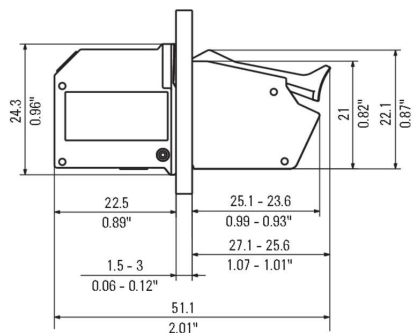
Data sheet

**OMNIMATE Power - series PGK
PGK 4 BT BK**

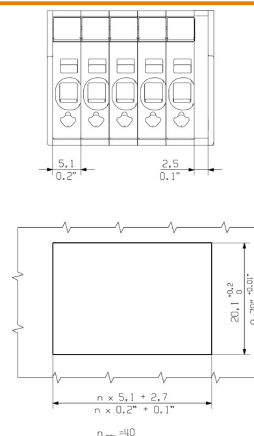
Weidmüller Interface GmbH & Co. KG
Klingenbergstraße 16
D-32758 Detmold
Germany
Fon: +49 5231 14-0
Fax: +49 5231 14-292083
www.weidmueller.com

Drawings

Dimensional drawing



Dimensional drawing

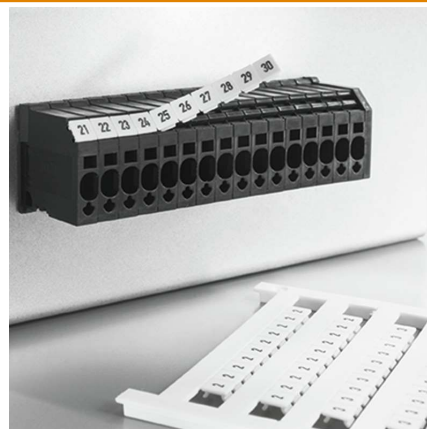


Product benefits



Secure and reliable installation

Product benefits



Clear marking position

Product benefits



Available test points

Product benefits



Intuitive fastening mechanism
Lower assembly costs

OMNIMATE Power - series PGK PGK 4 BT BK

Weidmüller Interface GmbH & Co. KG
Klingenbergstraße 16
D-32758 Detmold
Germany
Fon: +49 5231 14-0
Fax: +49 5231 14-292083
www.weidmueller.com

Accessories

PGK 4



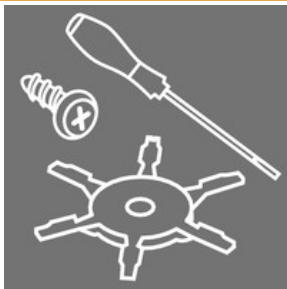
The PGK 4 device feed-through terminal is the fastest and most compact solution for feed-throughs in housings.

The innovative PUSH IN connection system from Weidmüller makes for a simple, tool-free wire connection on the inside and outside of devices. The sliced design and an intuitive fastening mechanism enable high-density blocks to be constructed quickly and easily.

General ordering data

Type	Order No.	Version	GTIN (EAN)	Qty.	Product data
EPL PGK4 BK	1288600000	OMNIMATE Power - series PGK, End plate	4050118080100	50 pc(s).	UL:

Accessories



Integrate, expand and customise: the perfect supplement to every application.

Universal system accessories enable easy adaptation of the interfaces to fulfil specific requirements for the relevant application.

General ordering data

Type	Order No.	Version	GTIN (EAN)	Qty.	Product data
VREL PGK4 OR VPE 30	1288610000	OMNIMATE Power - series PGK, Locking clips	4050118188875	30 pc(s).	UL:

Tools



Tools for removing the sheathing of uncut power cables and outgoing feeders, plus screwdrivers for installing FieldPower components.

General ordering data

Type	Order No.	Version	GTIN (EAN)	Qty.	Product data
SDS 0.5X3.0X80	9008320000	Screwdriver, Blade width (B): 3 mm, Blade length: 80	4032248056262	1 pc(s).	

OMNIMATE Power - series PGK PGK 4 BT BK

Weidmüller Interface GmbH & Co. KG
Klingenbergstraße 16
D-32758 Detmold
Germany
Fon: +49 5231 14-0
Fax: +49 5231 14-292083
www.weidmueller.com

Accessories

mm, Blade thickness (A):
0.5 mm

Slotted screwdriver

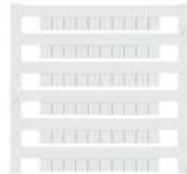
Slotted screwdriver with rounded blade SD DIN 5265, ISO 2380/2, output to DIN 5264, ISO 2380/1. ChromTop tip, SoftFinish grip



General ordering data

Type	Order No.	Version	GTIN (EAN)	Qty.
SDS 0.4X2.5X75	9009030000	Screwdriver, Blade width (B): 2.5 mm, Blade length: 75 mm, Blade thickness (A): 0.4 mm	4032248266944	1 pc(s).

Blank



The Dekafix (DEK) marker is the universal marker for all conductor and plug-in connectors as well as for electronic sub-assemblies. The system is ideal for short number sequences and covers a wide range of ready-printed markers.

Strips for fast installation in only one work step. The printing is easy to read, rich in contrast and available in various widths.

- Large range of ready-to-use markers
- Strips for fast installation
- Terminal markers, suitable for all Weidmüller cable connectors
- Available as blank MultiCard or with standard printing

For custom printing: Please send us a file of our labeling software M-Print PRO or M-Print PRO Online (without installation) for your labeling specifications.

General ordering data

Type	Order No.	Version	GTIN (EAN)	Qty.
DEK 5/5 MC NE WS	1609801044	Dekafix, Terminal marker, 5 x 5 mm, Pitch in mm (P): 5.00 Weidmueller, white	4008190397111	1,000 pc(s).

OMNIMATE Power - series PGK PGK 4 BT BK

Weidmüller Interface GmbH & Co. KG
Klingenbergstraße 16
D-32758 Detmold
Germany
Fon: +49 5231 14-0
Fax: +49 5231 14-292083
www.weidmueller.com

Accessories

Test plug



Current and voltage transformer wiring

Our test disconnect terminal blocks featuring spring and screw connection technology allow you to create all the important converter circuits for measuring current, voltage and power in a safe and sophisticated way.

General ordering data

Type	Order No.	Version	GTIN (EAN)	Qty.
PS 2.3 RT	0180400000	Accessories, Test plug	400819006012120	pc(s).

PZ



Crimping tools for wire end ferrules, with and without plastic collars

- Ratchet guarantees precise crimping
- Release option in the event of incorrect operation

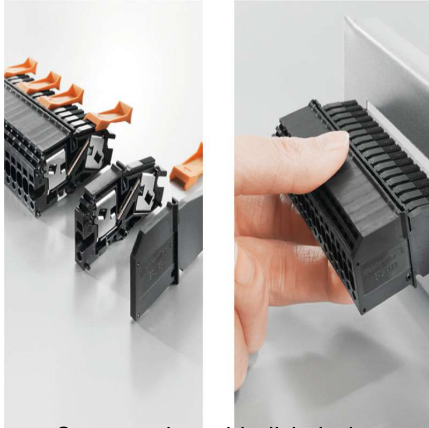
General ordering data

Type	Order No.	Version	GTIN (EAN)	Qty.
PZ 6/5	9011460000	Pressing tool, Crimping tool for wire-end ferrules, 0.25mm ² , 6mm ² , Trapezoidal indentation crimp	40081901653521	pc(s).

**OMNIMATE Power - series PGK
PGK 4 BT BK**

Weidmüller Interface GmbH & Co. KG
Klingenbergstraße 16
D-32758 Detmold
Germany
Fon: +49 5231 14-0
Fax: +49 5231 14-292083
www.weidmueller.com

Product benefits



Space-saving with disk design