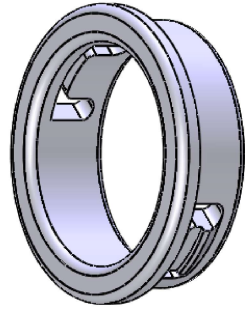
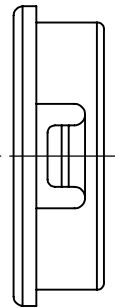
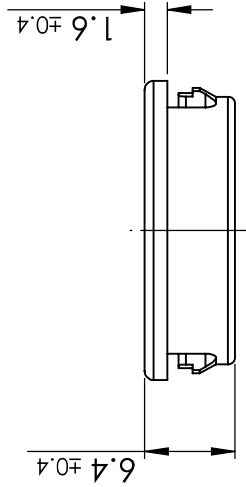
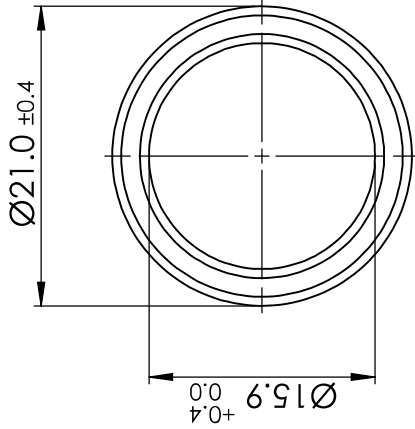


HOLE SIZE	MAX. PANEL THICK.
Ø19.1	1.6



NOTE :
MATERIAL : HEAT STABILIZED NYLON 6



© 2013 Essentra Components. All rights reserved.
Registered in England, Company No. 547495.
Registered Office: Essentra plc
Langford Locks, Kidlington, Oxford, OX5 1HX

Condition of Sale can be found on our website: essentra.com.

Essentra Components does not warrant that the files will be error free and may create new versions ("Upgrades") at any time, which may correct such errors. Essentra Components has no obligation to notify you of such upgrades. Any upgraded file will be published to the website, when it becomes available.

You are not permitted to load any of the files on to a network server for the purposes of distribution to one or more other computer(s) on that network or to effect such distribution. Essentra Components shall not be liable for any loss or damage whatsoever or however caused, arising directly or indirectly from the use of the files.

UNCONTROLLED COPY

APPROVED DRAWING

UNLESS OTHERWISE STATED

ALL DIMENSIONS IN mm

DO NOT SCALE

THIRD ANGLE PROJECTION



LINEAR TOLERANCE	THIRD ANGLE PROJECTION
SIZE (0) (0.00)	
0-10 ±0.5 ±0.15 ±0.10	
>10-30 ±0.5 ±0.20 ±0.15	
>30-50 ±0.5 ±0.30 ±0.20	
>50-100 ±0.8 ±0.50 ±0.25	
>100-200 ±1.5 ±0.80 ±0.40	
>200-300 ±2.0 ±1.20 ±0.80	
>300-500 ±3.0 ±2.00 ±1.00	
>500 ±5.0 ±3.00 ±1.50	

ANGULAR TOLERANCE ±0.5 DEGREES
UNSPECIFIED RADII 0.25mm
DRAFT ANGLE 0.5 DEGREES
DIMENSIONS IN BRACKETS [] ARE IN INCHES FOR REFERENCE ONLY

CREATE DATE 14.11.2022 SEE NOTES MATERIAL

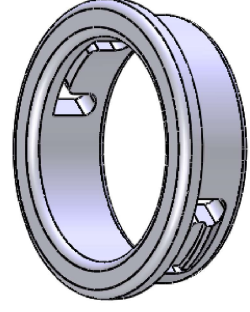
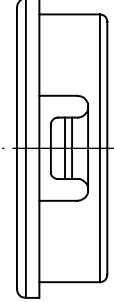
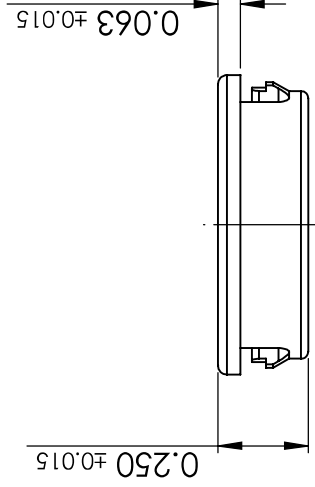
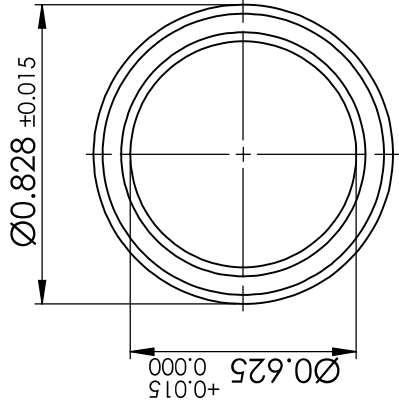
ITEM CODE 10362648 COLOUR WHITE

LEGACY NUMBER 22MP01060W FINISH -

TITLE: SNAP FIT BUSHINGS 19.0 MM

DWG. NO.	SCALE	SHEET	ISSUE
10362648	2:1	1 of 2	1

HOLE SIZE	MAX. PANEL THICK.
Ø0.750	0.062



NOTE :
MATERIAL : HEAT STABILIZED NYLON 6



© 2013 Essentra Components. All rights reserved.
Registered in England, Company No. 547495.
Registered Office: Essentra plc
Langford Locks, Kidlington, Oxford, OX5 1HX

Condition of Sale can be found on our website: essentra.com.

Essentra Components does not warrant that the files will be error free and may create new versions ("Upgrades") at any time, which may correct such errors. Essentra Components has no obligation to notify you of such upgrades. Any upgraded file will be published to the website, when it becomes available.

You are not permitted to load any of the files on to a network server for the purposes of distribution to one or more other computer(s) on that network or to effect such distribution. Essentra Components shall not be liable for any loss or damage whatsoever or however caused, arising directly or indirectly from the use of the files.

UNCONTROLLED COPY

STATUS

APPROVED DRAWING

UNLESS OTHERWISE STATED

ALL DIMENSIONS IN inches		DO NOT SCALE	
LINEAR TOLERANCE		THIRD ANGLE PROJECTION	
SIZE	(0.00) (0.000) (0.0000)		
0 - 0.394	±0.020 ±0.006 ±0.004		
>0.394 - 1.181	±0.020 ±0.008 ±0.006		
>1.181 - 1.969	±0.020 ±0.012 ±0.008		
>1.969 - 3.937	±0.031 ±0.020 ±0.010		
>3.937 - 7.874	±0.059 ±0.031 ±0.016		
>7.874 - 11.811	±0.079 ±0.047 ±0.031		
>11.811 - 19.685	±0.118 ±0.079 ±0.039		
>19.685	±0.197 ±0.118 ±0.059		
ANGULAR TOLERANCE			
±0.5 DEGREES			
UNSPECIFIED RADIUS 0.010 Inch			
DRAFT ANGLE 0.5 DEGREES			
MINIMUM HOLE DRILL BIT DIA. INCHES FOR ALL DIMENSIONS FOR REFERENCE ONLY			
CREATE DATE	14.11.2022	SEE NOTES	MATERIAL
ITEM CODE	10362648	WHITE	COLOR
LEGACY NUMBER	22MP01060W	-	FINISH
TITLE: SNAP FIT BUSHINGS 19.0 MM			

DWG. NO.	SCALE	SHEET	ISSUE
10362648	1:1	2 of 2	1