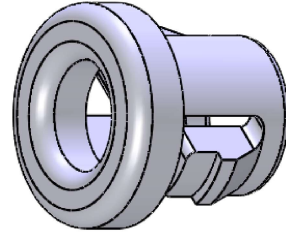
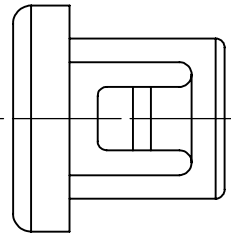
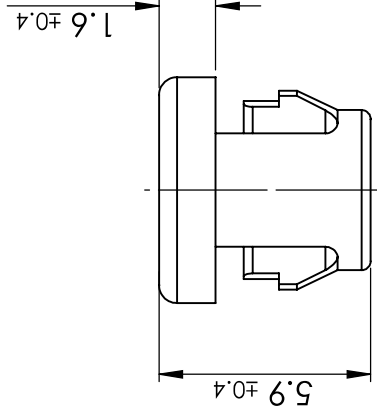
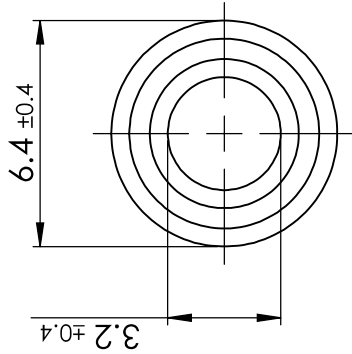


HOLE SIZE	MAX. PANEL THICK.
Ø4.7	1.6



NOTE :
MATERIAL : HEAT STABILIZED NYLON 6



© 2013 Essentra Components. All rights reserved.
Registered in England, Company No. 547495.
Registered Office: Essentra plc
Langford Locks, Kidlington, Oxford, OX5 1HX

Condition of Sale can be found on our website: essentra.com.

Essentra Components does not warrant that the files will be error free and may create new versions ("Upgrades") at any time, which may correct such errors. Essentra Components has no obligation to notify you of such upgrades. Any upgraded file will be published to the website, when it becomes available.

You are not permitted to load any of the files on to a network server for the purposes of distribution to one or more other computer(s) on that network or to effect such distribution. Essentra Components shall not be liable for any loss or damage whatsoever or however caused, arising directly or indirectly from the use of the files.

UNCONTROLLED COPY

STATUS

APPROVED DRAWING

UNLESS OTHERWISE STATED

ALL DIMENSIONS IN mm

DO NOT SCALE

LINEAR TOLERANCE		THIRD ANGLE PROJECTION
SIZE	(0) (0.00)	
0-10	±0.15 ±0.10	
>10-30	±0.5 ±0.20 ±0.15	
>30-50	±0.5 ±0.30 ±0.20	
>50-100	±0.8 ±0.50 ±0.25	
>100-200	±1.5 ±0.80 ±0.40	
>200-300	±2.0 ±1.20 ±0.80	
>300-500	±3.0 ±2.00 ±1.00	
>500	±5.0 ±3.00 ±1.50	

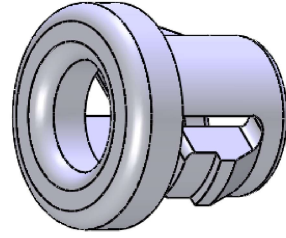
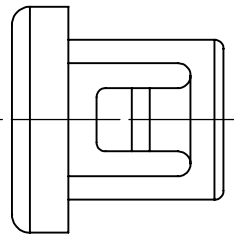
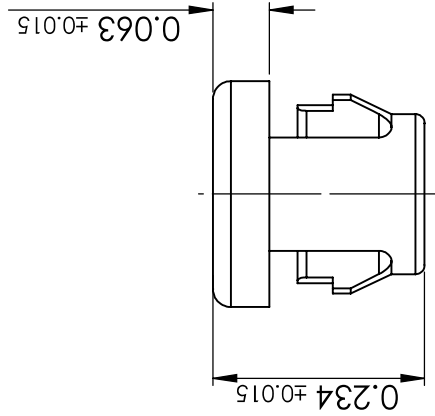
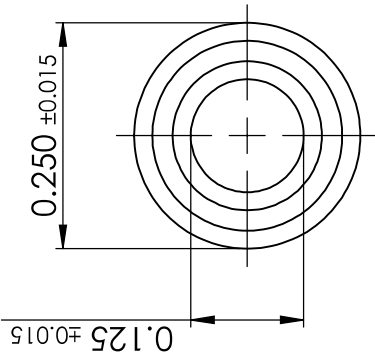
ANGULAR TOLERANCE ±0.5 DEGREES	
UNSPECIFIED RADI 0.25mm	
DRAFT ANGLE 0.5 DEGREES	
DIMENSIONS IN BRACKETS [] ARE IN INCHES FOR REFERENCE ONLY	

CREATE DATE	11.11.2022	SEE NOTES	MATERIAL
ITEM CODE	10362549	WHITE	CLOUR
LEGACY NUMBER	22MP01010W	-	FINISH

TITLE:
SNAP FIT BUSHINGS
4.8 MM

DWG. NO.	10362549	SCALE	SHEET	ISSUE
		5:1	1 of 2	1

HOLE SIZE	MAX. PANEL THICK.
Ø0.187	0.062



NOTE :
MATERIAL : HEAT STABILIZED NYLON 6



© 2013 Essentra Components. All rights reserved.
Registered in England, Company No. 547495.
Registered Office: Essentra plc
Langford Locks, Kidlington, Oxford, OX5 1HX

Condition of Sale can be found on our website: essentra.com.

Essentra Components does not warrant that the files will be error free and may create new versions ("Upgrades") at any time, which may correct such errors. Essentra Components has no obligation to notify you of such upgrades. Any upgraded file will be published to the website, when it becomes available.

You are not permitted to load any of the files on to a network server for the purposes of distribution to one or more other computer(s) on that network or to effect such distribution. Essentra Components shall not be liable for any loss or damage whatsoever or however caused, arising directly or indirectly from the use of the files.

UNCONTROLLED COPY

STATUS

APPROVED DRAWING

UNLESS OTHERWISE STATED

ALL DIMENSIONS IN INCHES

DO NOT SCALE
THIRD ANGLE PROJECTION

SIZE	(0.00)	(0.000)	(0.0000)
0 - 0.394	±0.020	±0.006	±0.004
>0.394 - 1.181	±0.020	±0.008	±0.006
>1.181 - 1.969	±0.020	±0.012	±0.008
>1.969 - 3.937	±0.031	±0.020	±0.010
>3.937 - 7.874	±0.059	±0.031	±0.016
>7.874 - 11.811	±0.079	±0.047	±0.031
>11.811 - 19.685	±0.118	±0.079	±0.039
>19.685	±0.197	±0.118	±0.059

ANGULAR TOLERANCE
±0.5 DEGREES
UNSPECIFIED RADIUS 0.010 INCH
DRAFT ANGLE 0.5 DEGREES
ALL DIMENSIONS FOR ANGLES IN DEGREES UNLESS OTHERWISE SPECIFIED
REFERENCE ONLY

CREATE DATE	11.11.2022	SEE NOTES	MATERIAL
ITEM CODE	10362549	WHITE	COLOR
LEGACY NUMBER	22MP01010W	-	FINISH

TITLE:
SNAP FIT BUSHINGS
4.8 MM

DWG. NO.	SCALE	SHEET	ISSUE
10362549	5:1	2 of 2	1