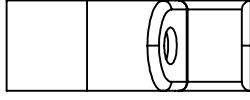
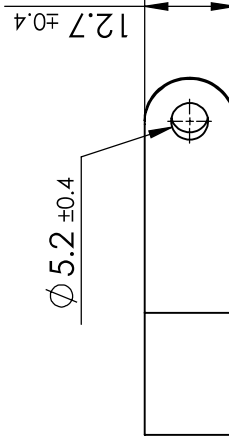
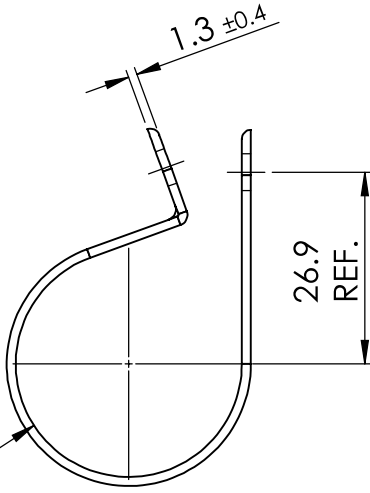


COMPATIBLE CABLE  
DIAMETER RANGE  
Ø31.8

Ø 31.8  
REF.



© 2013 Essentra Components. All rights reserved.  
Registered in England, Company No. 547495.  
Registered Office: Essentra plc  
Langford Locks, Kidlington, Oxford, OX5 1HX

Condition of Sale can be found on our website: [essentra.com](http://essentra.com).

Essentra Components does not warrant that the files will be error free and may create new versions ("Upgrades") at any time, which may correct such errors. Essentra Components has no obligation to notify you of such upgrades. Any upgraded file will be published to the website, when it becomes available.

You are not permitted to load any of the files on to a network server for the purposes of distribution to one or more other computer(s) on that network or to effect such distribution. Essentra Components shall not be liable for any loss or damage whatsoever or however caused, arising directly or indirectly from the use of the files.

**UNCONTROLLED COPY**

STATUS

**APPROVED DRAWING**

**UNLESS OTHERWISE STATED**

**ALL DIMENSIONS IN mm**

**DO NOT SCALE**

LINEAR TOLERANCE		THIRD ANGLE PROJECTION
SIZE	(0) (0.0) (0.00)	
0-10	±0.5 ±0.15 ±0.10	
>10-30	±0.5 ±0.20 ±0.15	
>30-50	±0.5 ±0.30 ±0.20	
>50-100	±0.8 ±0.50 ±0.25	
>100-200	±1.5 ±0.80 ±0.40	
ANGULAR TOLERANCE ±0.5 DEGREES		
UNSPECIFIED RADI 0.25mm		
DRAFT ANGLE 0.5 DEGREES		
DIMENSIONS IN BRACKETS [ ] ARE IN INCHES FOR REFERENCE ONLY		

CREATE DATE	20.01.2023	MATERIAL	NYLON 6/6
ITEM CODE	10362228	COLOUR	BLACK
LEGACY NUMBER	22CC-50D1250B	FINISH	-

TITLE:  
**P STYLE CABLE CLAMP**  
**31.8 MM**

DWG. NO.	10362228	SCALE	1:1	SHEET	1 of 2	ISSUE	1
----------	----------	-------	-----	-------	--------	-------	---

COMPATIBLE CABLE  
DIAMETER RANGE  
Ø1.252



© 2013 Essentra Components. All rights reserved.  
Registered in England, Company No. 547495.  
Registered Office: Essentra plc  
Langford Locks, Kidlington, Oxford, OX5 1HX

Condition of Sale can be found on our website: [essentra.com](http://essentra.com).

Essentra Components does not warrant that the files will be error free and may create new versions ("Upgrades") at any time, which may correct such errors. Essentra Components has no obligation to notify you of such upgrades. Any upgraded file will be published to the website, when it becomes available.

You are not permitted to load any of the files on to a network server for the purposes of distribution to one or more other computer(s) on that network or to effect such distribution. Essentra Components shall not be liable for any loss or damage whatsoever or however caused, arising directly or indirectly from the use of the files.

UNCONTROLLED COPY

STATUS

APPROVED DRAWING

UNLESS OTHERWISE STATED

ALL DIMENSIONS IN INCHES

DO NOT SCALE

THIRD ANGLE PROJECTION

SIZE	LINEAR TOLERANCE	(0.000)	(0.0000)	(0.0000)
0 - 0.394	±0.020	±0.006	±0.004	
>0.394 - 1.181	±0.020	±0.008	±0.006	
>1.181 - 1.969	±0.020	±0.012	±0.008	
>1.969 - 3.937	±0.031	±0.020	±0.010	
>3.937 - 7.874	±0.059	±0.031	±0.016	
>7.874 - 11.811	±0.079	±0.047	±0.031	
>11.811 - 19.685	±0.118	±0.079	±0.039	
>19.685	±0.197	±0.118	±0.059	



ANGULAR TOLERANCE  
±0.5 DEGREES  
UNSPECIFIED RADIUS 0.010 INCH  
DRAFT ANGLE 0.5 DEGREES  
DIMENSIONS IN BRACKETS [ ]  
ARE IN INCHES FOR  
REFERENCE ONLY

CREATE DATE	MATERIAL
20.01.2023	NYLON 6/6
ITEM CODE	COLOUR
10362228	BLACK
LEGACY NUMBER	FINISH
22CC50D1250B	-

TITLE:

P STYLE CABLE CLAMP  
31.8 MM

DWG. NO. 10362228

SCALE 1:1

SHEET 2 of 2

ISSUE 1

