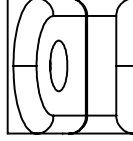
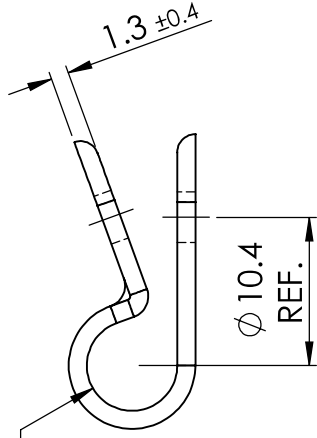


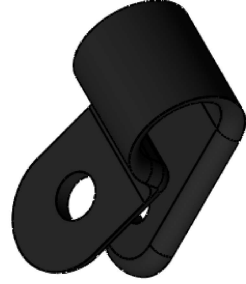
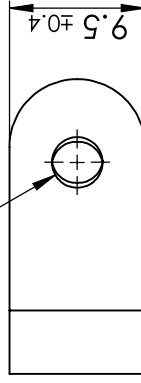
COMPATIBLE CABLE
DIAMETER RANGE

Ø6.4

Ø 6.4
REF.



Ø 3.6 ±0.4



© 2013 Essentra Components. All rights reserved.
Registered in England, Company No. 547495.
Registered Office: Essentra plc
Langford Locks, Kidlington, Oxford, OX5 1HX

Condition of Sale can be found on our website: essentra.com.

Essentra Components does not warrant that the files will be error free and may create new versions ("Upgrades") at any time, which may correct such errors. Essentra Components has no obligation to notify you of such upgrades. Any upgraded file will be published to the website, when it becomes available.

You are not permitted to load any of the files on to a network server for the purposes of distribution to one or more other computer(s) on that network or to effect such distribution. Essentra Components shall not be liable for any loss or damage whatsoever or however caused, arising directly or indirectly from the use of the files.

UNCONTROLLED COPY

STATUS

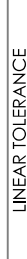
APPROVED DRAWING

UNLESS OTHERWISE STATED

ALL DIMENSIONS IN mm

DO NOT SCALE

THIRD ANGLE PROJECTION



LINEAR TOLERANCE

SIZE	(0)	(0.0)	(0.00)
0-10	±0.5	±0.15	±0.10
>10-30	±0.5	±0.20	±0.15
>30-50	±0.5	±0.30	±0.20
>50-100	±0.8	±0.50	±0.25
>100-200	±1.5	±0.80	±0.40
>200-300	±2.0	±1.20	±0.80
>300-500	±3.0	±2.00	±1.00
>500	±5.0	±3.00	±1.50

ANGULAR TOLERANCE ±0.5 DEGREES

UNSPECIFIED RADI 0.25mm

DRAFT ANGLE 0.5 DEGREES

DIMENSIONS IN BRACKETS [] ARE

IN INCHES FOR REFERENCE ONLY

CREATE DATE 17.01.2023

MATERIAL NYLON 6/6

ITEM CODE 10361436

COLOUR BLACK

LEGACY NUMBER 22CC37B0250B

FINISH -

TITLE: P STYLE CABLE CLAMP

6.4 MM

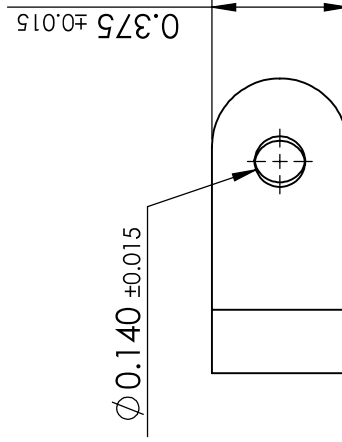
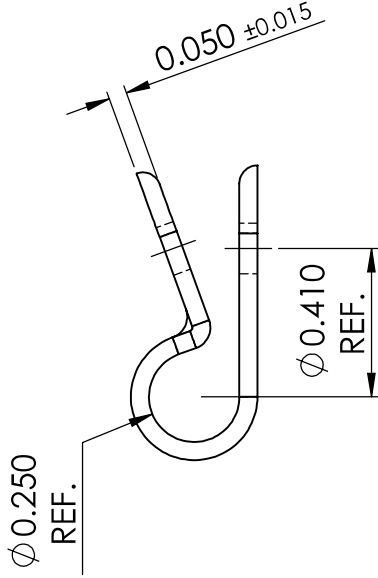
DWG. NO. 10361436

SCALE 2:1

SHEET 1 of 2

ISSUE 1

COMPATIBLE CABLE
DIAMETER RANGE
Ø0.252



© 2013 Essentra Components. All rights reserved.
Registered in England, Company No. 547495.
Registered Office: Essentra plc
Langford Locks, Kidlington, Oxford, OX5 1HX

Condition of Sale can be found on our website: essentra.com.

Essentra Components does not warrant that the files will be error free and may create new versions ("Upgrades") at any time, which may correct such errors. Essentra Components has no obligation to notify you of such upgrades. Any upgraded file will be published to the website, when it becomes available.

You are not permitted to load any of the files on to a network server for the purposes of distribution to one or more other computer(s) on that network or to effect such distribution. Essentra Components shall not be liable for any loss or damage whatsoever or however caused, arising directly or indirectly from the use of the files.

UNCONTROLLED COPY

STATUS

APPROVED DRAWING

UNLESS OTHERWISE STATED

ALL DIMENSIONS IN INCHES		DO NOT SCALE
LINEAR TOLERANCE	(0.000) (0.0000)	THIRD ANGLE PROJECTION
0 - 0.394	±0.020 ±0.006 ±0.004	
>0.394 - 1.181	±0.020 ±0.008 ±0.006	
>1.181 - 1.969	±0.020 ±0.012 ±0.008	
>1.969 - 3.937	±0.031 ±0.020 ±0.010	
>3.937 - 7.874	±0.059 ±0.031 ±0.016	ANGULAR TOLERANCE ±0.5 DEGREES
>7.874 - 11.811	±0.079 ±0.047 ±0.031	UNSPECIFIED RADIUS 0.010 INCH
>11.811 - 19.685	±0.118 ±0.079 ±0.039	DRAFT ANGLE 0.5 DEGREES
>19.685	±0.197 ±0.118 ±0.059	FINISH UNLESS OTHERWISE SPECIFIED FOR REFERENCE ONLY

CREATE DATE	17.01.2023	MATERIAL	NYLON 6/6
ITEM CODE	10361436	COLOUR	BLACK
LEGACY NUMBER	22CC37B0250B	FINISH	
TITLE:	P STYLE CABLE CLAMP 6.4 MM		

DWG. NO.	10361436	SCALE	1:1	SHEET	2 of 2	ISSUE	1
----------	----------	-------	-----	-------	--------	-------	---