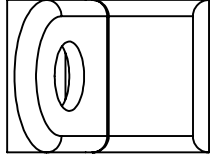
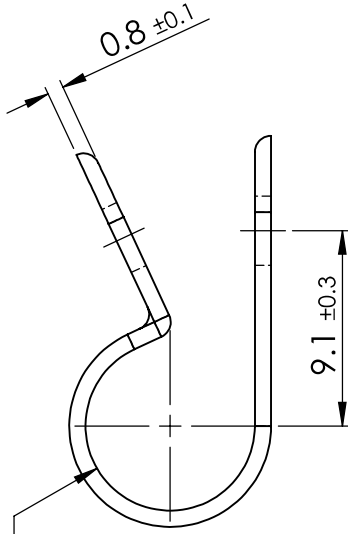
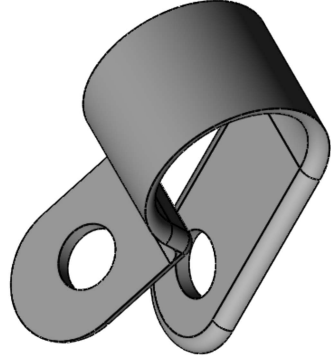
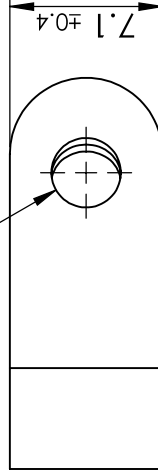


COMPATIBLE HOLE  
DIAMETER RANGE  
Ø7.9

Ø 7.9  
REF.



Ø 3.3 ± 0.3



© 2013 Essentra Components. All rights reserved.  
Registered in England, Company No. 547495.  
Registered Office: Essentra plc  
Langford Locks, Kidlington, Oxford, OX5 1HX

Condition of Sale can be found on our website: [essentra.com](http://essentra.com).

Essentra Components does not warrant that the files will be error free and may create new versions ("Upgrades") at any time, which may correct such errors. Essentra Components has no obligation to notify you of such upgrades. Any upgraded file will be published to the website, when it becomes available.

You are not permitted to load any of the files on to a network server for the purposes of distribution to one or more other computer(s) on that network or to effect such distribution. Essentra Components shall not be liable for any loss or damage whatsoever or however caused, arising directly or indirectly from the use of the files.

**UNCONTROLLED COPY**

STATUS

**APPROVED DRAWING**

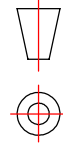
**UNLESS OTHERWISE STATED**

**ALL DIMENSIONS IN mm**

**DO NOT SCALE**

LINEAR TOLERANCE

THIRD ANGLE PROJECTION



SIZE	(0)	(0.0)	(0.00)
0-10	±0.5	±0.15	±0.10
>10-30	±0.5	±0.20	±0.15
>30-50	±0.5	±0.30	±0.20
>50-100	±0.8	±0.50	±0.25
>100-200	±1.5	±0.80	±0.40
>200-300	±2.0	±1.20	±0.80
>300-500	±3.0	±2.00	±1.00
>500	±5.0	±3.00	±1.50

ANGULAR TOLERANCE	±0.5 DEGREES
UNSPECIFIED	RADI 0.25mm
DRAFT ANGLE	0.5 DEGREES
DIMENSIONS IN BRACKETS [ ] ARE	
	IN INCHES FOR REFERENCE ONLY

CREATE DATE 17.03.2021 MATERIAL NYLON 6/6

ITEM CODE 10361368 COLOUR NATURAL

LEGACY NUMBER 22CC28E0312 FINISH

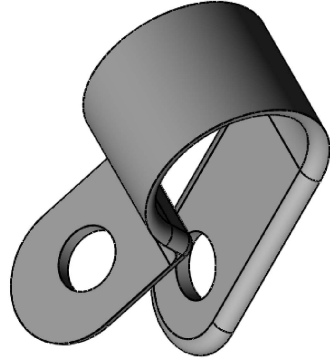
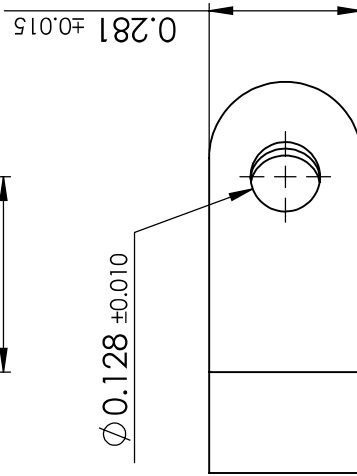
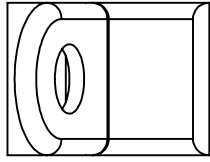
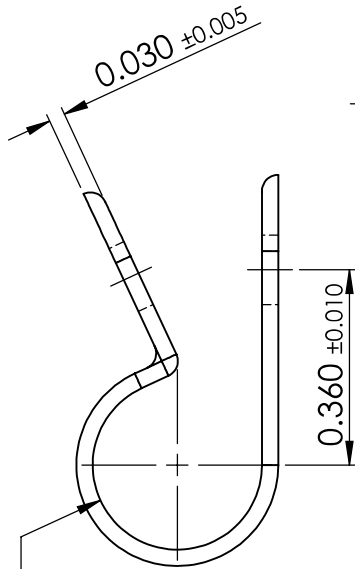
TITLE: P STYLE CABLE CLAMP

7.9 MM

DWG. NO.	SCALE	SHEET	ISSUE
10361368	3:1	1 of 2	1

COMPATIBLE HOLE  
DIAMETER RANGE  
Ø0.311

Ø0.312  
REF.



© 2013 Essentra Components. All rights reserved.  
Registered in England, Company No. 547495.  
Registered Office: Essentra plc  
Langford Locks, Kidlington, Oxford, OX5 1HX

Condition of Sale can be found on our website: [essentra.com](http://essentra.com).

Essentra Components does not warrant that the files will be error free and may create new versions ("Upgrades") at any time, which may correct such errors. Essentra Components has no obligation to notify you of such upgrades. Any upgraded file will be published to the website, when it becomes available.

You are not permitted to load any of the files on to a network server for the purposes of distribution to one or more other computer(s) on that network or to effect such distribution. Essentra Components shall not be liable for any loss or damage whatsoever or however caused, arising directly or indirectly from the use of the files.

**UNCONTROLLED COPY**

STATUS

APPROVED DRAWING

UNLESS OTHERWISE STATED

ALL DIMENSIONS IN INCHES

DO NOT SCALE

LINEAR TOLERANCE

THIRD ANGLE PROJECTION

SIZE	(0.00)	(0.000)	(0.0000)
0 - 0.394	±0.020	±0.006	±0.004
>0.394 - 1.181	±0.020	±0.008	±0.006
>1.181 - 1.969	±0.020	±0.012	±0.008
>1.969 - 3.937	±0.031	±0.020	±0.010
>3.937 - 7.874	±0.059	±0.031	±0.016
>7.874 - 11.811	±0.079	±0.047	±0.031
>11.811 - 19.685	±0.118	±0.079	±0.039
>19.685	±0.197	±0.118	±0.059

ANGULAR TOLERANCE
±0.5 DEGREES
UNSPECIFIED RADIUS 0.010 INCH
DRAFT ANGLE 0.5 DEGREES
MINIMUM HOLE DRAGGERS ( )
ALL DIMENSIONS FOR
ARE IN INCHES FOR
REFERENCE ONLY

CREATE DATE	17.03.2021	MATERIAL	NYLON 6/6
ITEM CODE	10361368	COLOR	NATURAL
LEGACY NUMBER	22CC28E0312	FINISH	
TITLE:	P STYLE CABLE CLAMP 7.9 MM		

DWG. NO.	10361368	SCALE	3:1	SHEET	2 of 2	ISSUE	1
----------	----------	-------	-----	-------	--------	-------	---