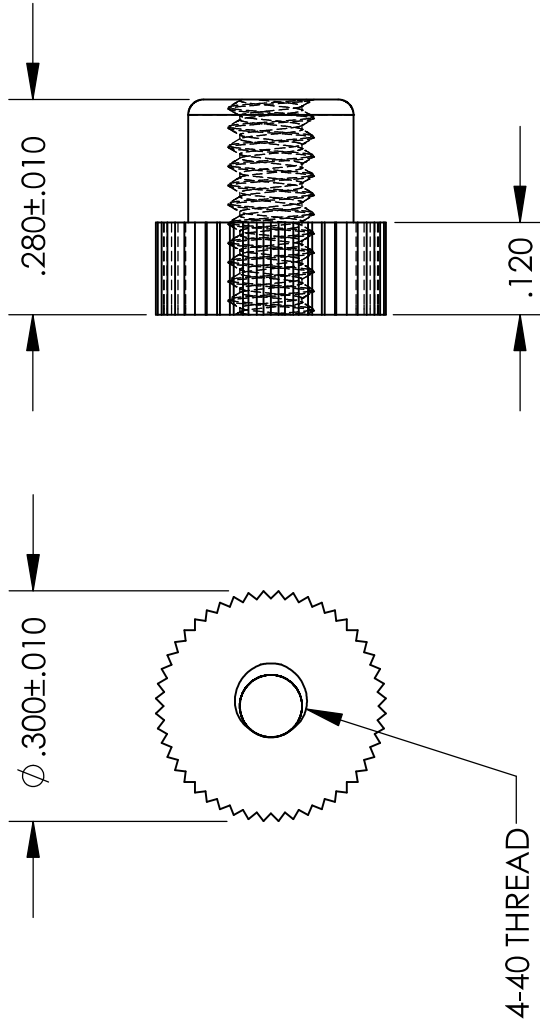


# UNCONTROLLED DOCUMENT



WE RESERVE THE RIGHT  
TO DISCONTINUE ITEMS,  
CHANGE SPECIFICATIONS  
OR DESIGN AT ANY TIME  
WITHOUT NOTICE AND  
WITHOUT INCURRING  
ANY OBLIGATIONS

## TOLERANCES UNLESS NOTED

- $\pm .005$  ON DIMENSIONS THRU  $.625$
- $\pm .008$  ON DIMENSIONS  $.626$  THRU  $1.000$
- $\pm .010$  ON DIMENSIONS  $1.001$  THRU  $1.500$
- $\pm .015$  ON DIMENSIONS LARGER THAN  $1.500$
- $\pm .015$  ON FRACTIONAL DIMENSIONS

PROPERTY OF

**MICRO PLASTICS INC.**

CATALOG DRAWING  
KNURLED THUMB NUT "A"  
MICRO P/N 0800440TNA  
DWG. # 0800440TNA  
FILE SERVER\ENG\WEB

MATERIAL: 6/6 NYLON

DATE

SCALE

4:1

**7A**