

ebm-papst Mulfingen GmbH & Co. KG

Bachmühle 2

D-74673 Mulfingen

Phone +49 7938 81-0

Fax +49 7938 81-110

info1@de.ebmpapst.com

www.ebmpapst.com

Nominal data

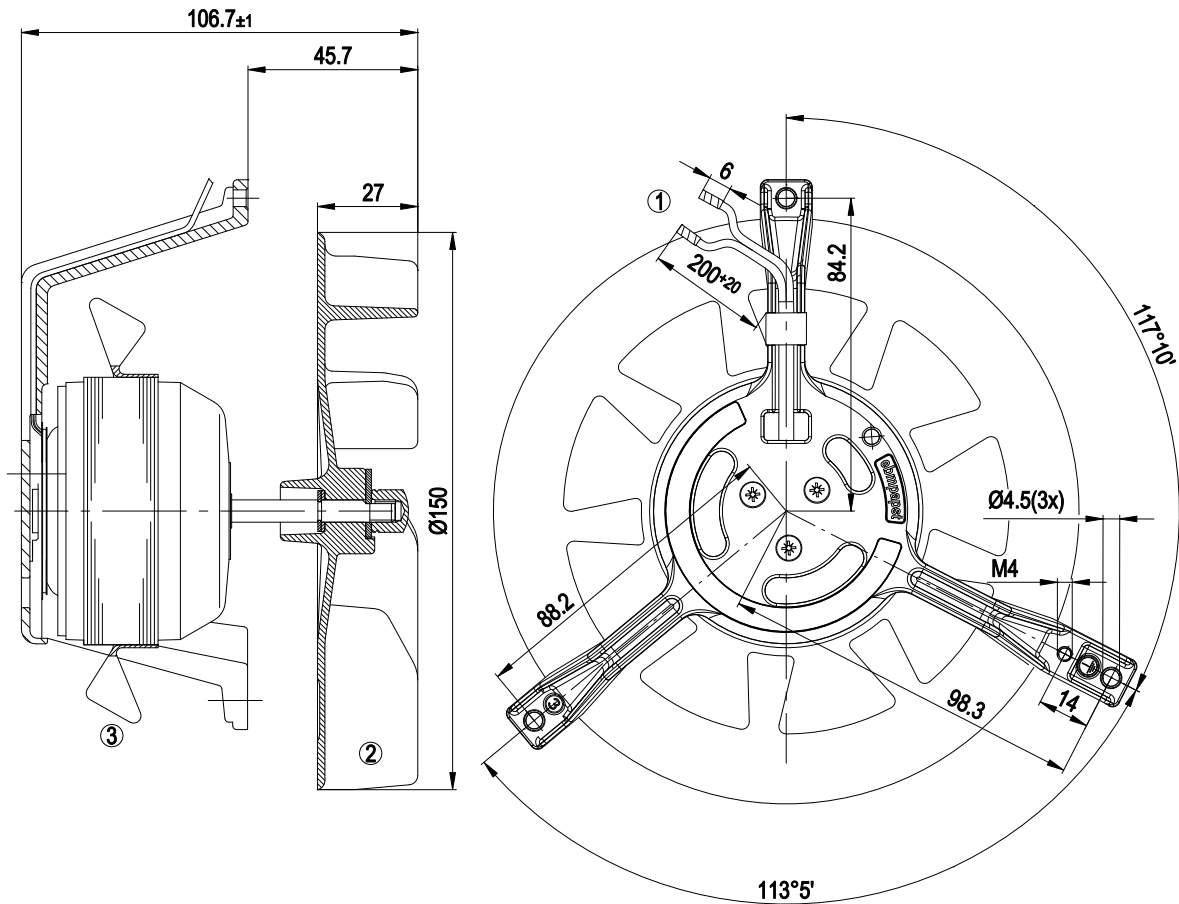
Type	R2S150-AA08-29	
Motor	M2S052-CA	
Phase		1~
Nominal voltage	VAC	230
Frequency	Hz	50
Type of data definition		rfa
Valid for approval / standard		CE
Speed	min ⁻¹	2200
Power input	W	43
Current draw	A	0.25
Min. back pressure	Pa	0
Max. ambient temperature	°C	75

ml = max. load · me = max. efficiency · rfa = running at free air · cs = customer specs · cu = customer unit
 Subject to alterations

Technical features

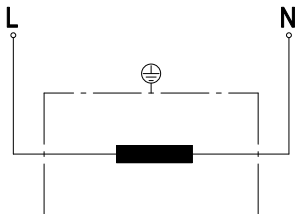
Leakage current	< 0.75 mA
Size	150 mm
Operation mode	S1
Direction of rotation	Clockwise, seen on rotor
Mounting position	Any
Insulation class	"F"
Cable exit	Lateral
Condensate discharge holes	None
Motor bearing	Ball bearing
Mass	0.9 kg
Material of impeller	Die-cast aluminium
Product conforming to standard	CE; EN 60335-1, motor does not have factory-installed overheating protection
Surface of rotor	Uncoated
Number of blades	7
Type of protection	IP 22 (depending on installation and position); Depending on installation and position
Protection class	I (if earth wire is connected by customer)
Max. permissible ambient motor temp. (transp./ storage)	+ 80 °C
Min. permissible ambient motor temp. (transp./storage)	- 40 °C

Product drawing



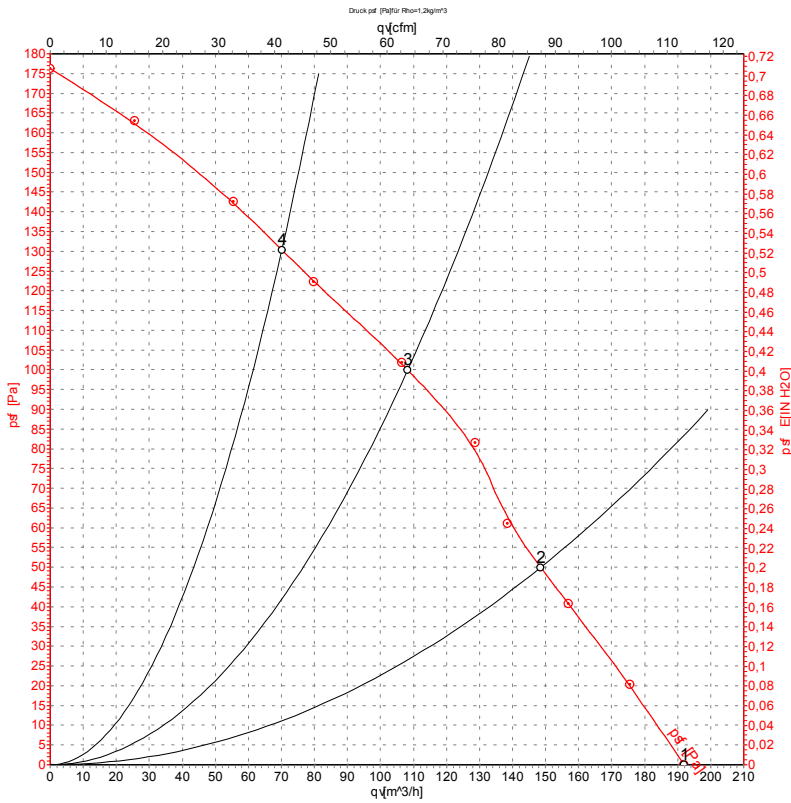
- | | |
|---|---|
| 1 | Connection line Dipotherm 0.5mm ² , 2x brass lead tips crimped |
| 2 | Centrifugal impeller (die-cast aluminium) |
| 3 | Impeller (sheet steel, hot-galvanised) |

Connection screen



- | | | | |
|---|-------|---|-------|
| L | white | N | white |
|---|-------|---|-------|

Charts: Air flow 50 Hz



Measurement: LU-24342

Air performance measured as per ISO 5801 Installation Category A. For detailed information on the measuring set-up, please contact ebm-papst. Suction-side noise levels: L_{wA} measured as per ISO 13347 / L_{pA} measured with 1m distance to fan axis. The values given are valid under the measuring conditions mentioned above and may vary according to the actual installation situation. With any deviation from the standard set-up, the specific values have to be checked and reviewed with the unit installed.

Measured values

	U	f	n	P _e	I	qv	p _{sf}
	V	Hz	min ⁻¹	W	A	m ³ /h	Pa
1	230	50	2200	43	0.25	190	0
2	230	50	2250	42	0.25	150	50
3	230	50	2330	40	0.24	110	100
4	230	50	2335	40	0.24	70	130